



# TEKNIK

EXTRUSION



## PRODUCT CATALOGUE

Visit Our Website

[www.teknikextrusions.com](http://www.teknikextrusions.com)



## Welcome to Teknik Extrusions

Since 2017, Teknik Extrusion has been a leading provider of high-quality aluminum profiles, with our headquarters and manufacturing facility located in Lebanon and an international office in Canada. We specialize in providing customized, precision-engineered solutions designed for durability, efficiency, and versatility, serving clients on both national and worldwide levels. With our Euro One certification, we offer tax-free shipments to Europe, enhancing the convenience and cost-effectiveness for our international clients.

### Our customer-centric approach;

At Teknik Extrusion, we prioritize our customers' needs. We offer flexible, tailored solutions and ensure a seamless experience from start to finish. Our services include:

- Competitive pricing
- Worldwide shipping
- Great customer service with multiple communication channels
- High-quality products for a wide range of uses
- On-time delivery

### Our products and services:

- Aluminum Profiles – Standard and custom profiles tailored to your specific requirements.
- Finishing Options – Powder coating, anodizing, and mill finish available for a variety of aesthetic and functional needs.
- Logistical Support – Efficient worldwide shipping to ensure timely deliveries.



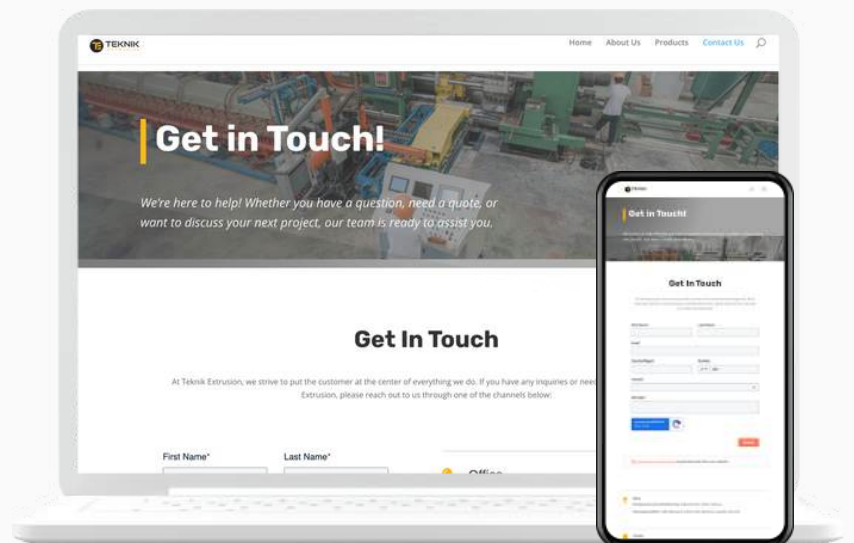
# Request a Quote Today!

At Teknik Extrusion, we understand that each project is unique. Whether you're in need of standard or custom aluminum profiles, we are here to provide you with the best solution tailored to your requirements. To request a quote, simply reach out to us using any of the following methods:

- **Visit our website** – Scan the QR code below to be redirected to our Contact Us page, where you can quickly submit your quote request.
- **Email us directly** – Send us the details of your project to [info@teknikextrusions.com](mailto:info@teknikextrusions.com) and our team will get back to you promptly.
- **Call us** – Speak directly with one of our experts by calling [+1 263-881-1128](tel:+1263-881-1128).



SCAN HERE





# Standard & Customized Aluminum Extrusion Profiles

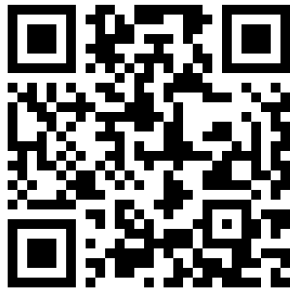
We offer a wide range of standard and customized aluminum extrusion profiles designed for durability, versatility, and high performance. These profiles are widely used in various applications due to their strength, lightweight properties, and resistance to corrosion.

## Applications:

Standard aluminum profiles are essential in multiple applications, including:

- ✓ Structural frameworks and support systems
- ✓ Window and door frames
- ✓ Interior and exterior décor elements
- ✓ Drapery tracks and curtain systems
- ✓ Machinery and equipment components
- ✓ Industrial shelving and storage solutions

All our profiles are available in **mill finish** or can be **powder-coated** and **anodized** based on preference and usage. These finishing options enhance durability, resistance to wear, and visual appeal, ensuring that our aluminum profiles meet the highest industry standards.

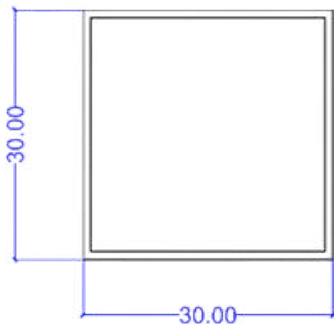




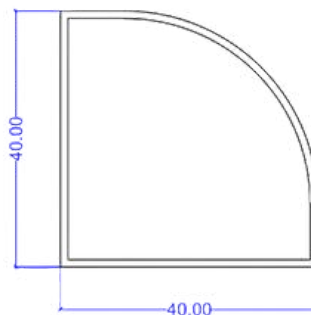
# Tube Profiles

Our aluminum extrusion tube profiles are designed for strength, durability, and easy integration into various projects. Available in different shapes, they are lightweight, corrosion-resistant, and suitable for both structural and decorative use.

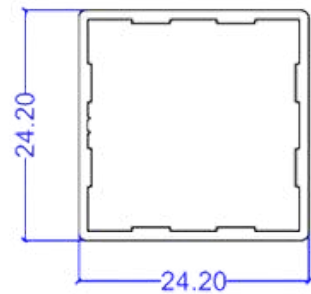
Common applications include partitions, railings, frames, displays, furniture systems, and curtain tracks.



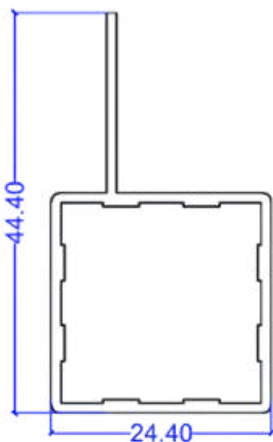
TEK 102



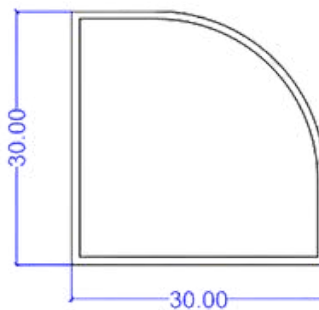
TEK 103



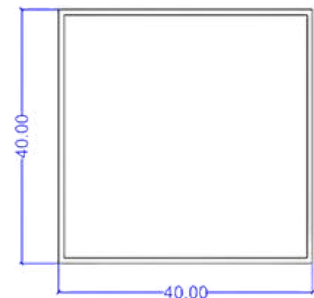
TEK 104



TEK 105



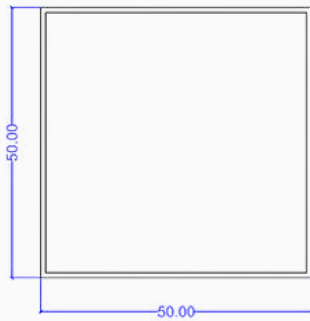
TEK 106



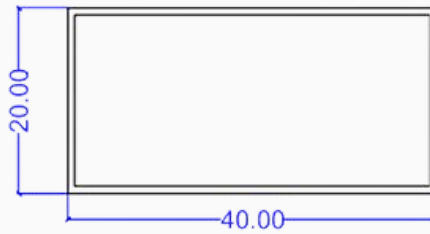
TEK 107



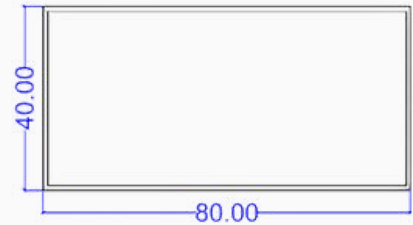
Category: Tubes



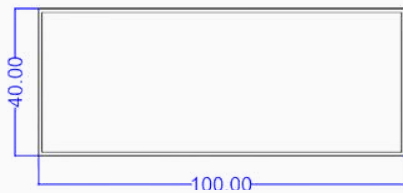
TEK 108



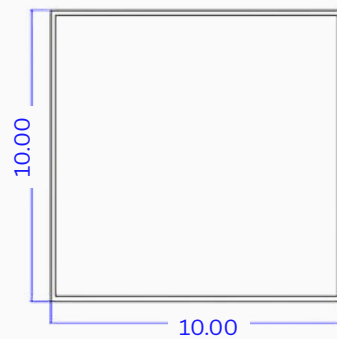
TEK 111



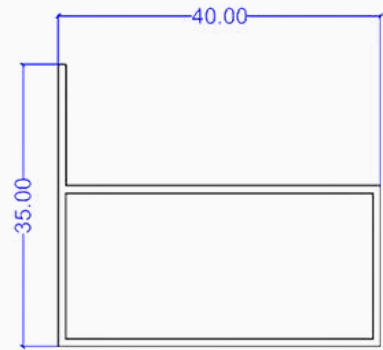
TEK 112



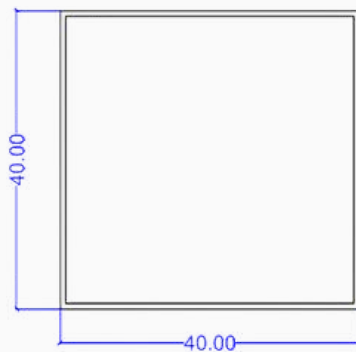
TEK 114



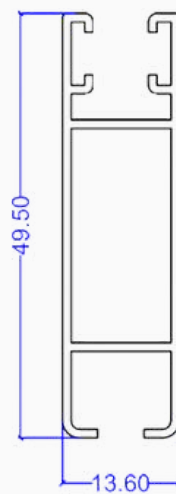
TEK 115



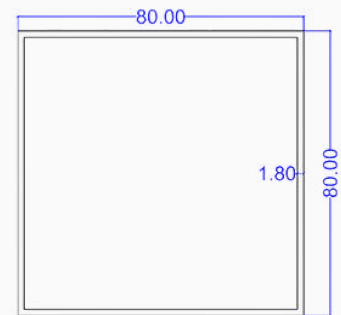
TEK 118



TEK 121



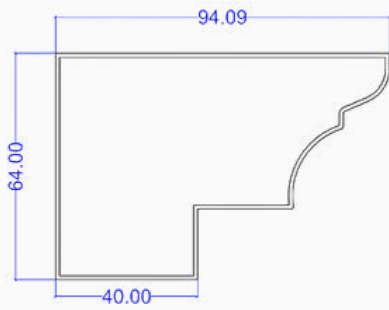
TEK 122



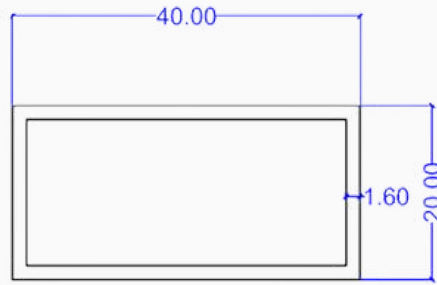
TEK 125



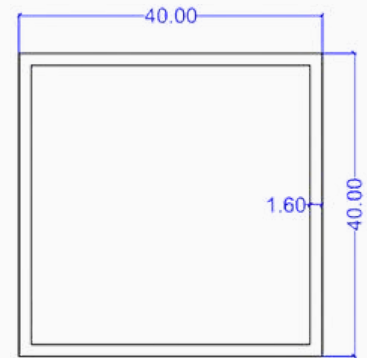
Category: Tubes



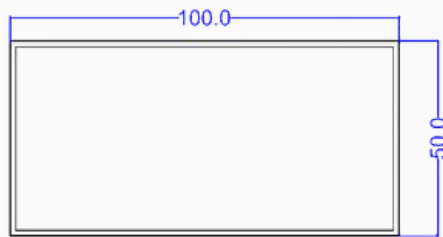
TEK 128



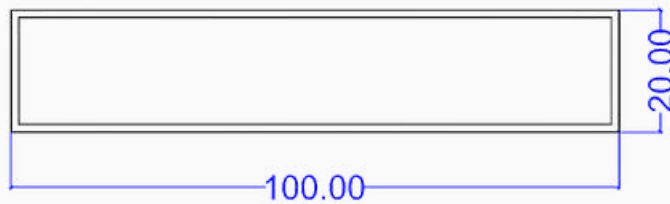
TEK 130



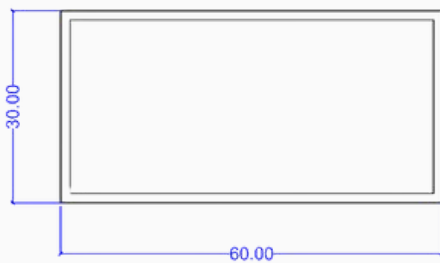
TEK 131



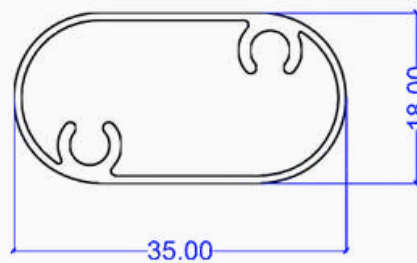
TEK 132



TEK 135



TEK 136

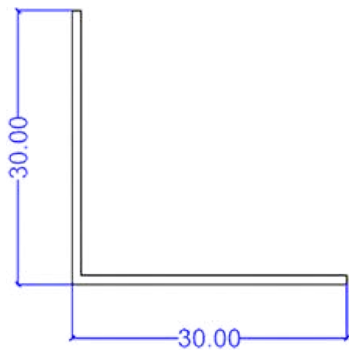


TEK 153

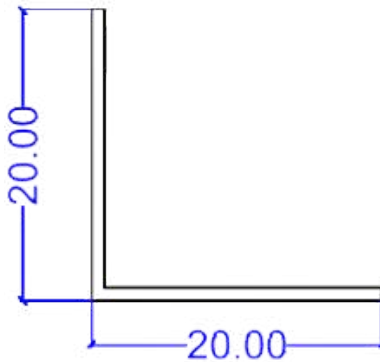


# Corner Profiles

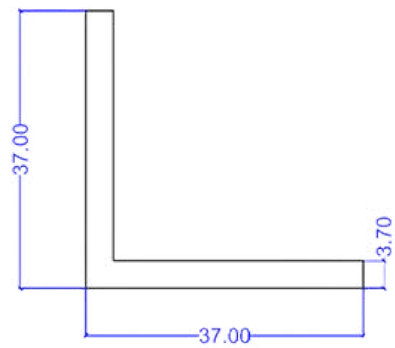
Aluminum corner profiles are used to protect edges, provide clean finishes, and enhance the appearance of corners in various applications. They offer both functional support and a sleek look, making them ideal for use in furniture, partitions, wall trims, and frame systems.



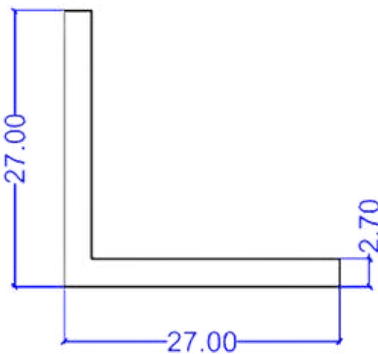
TEK 203



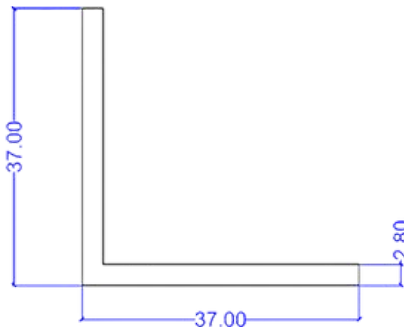
TEK 204



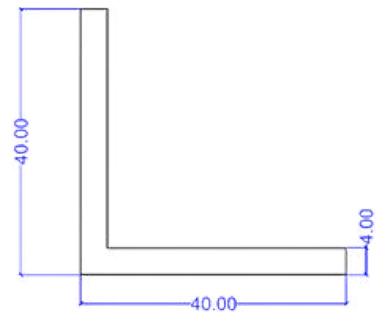
TEK 205



TEK 206



TEK 207

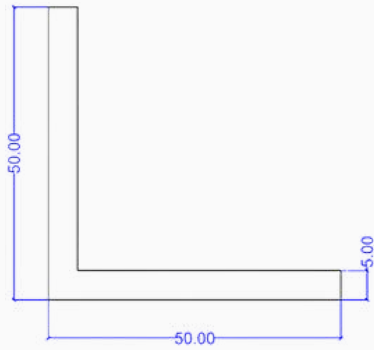


TEK 208

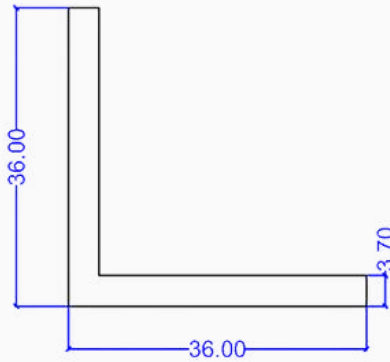




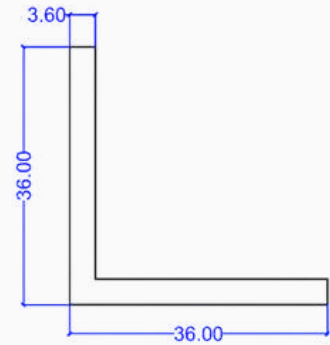
Category: Corners



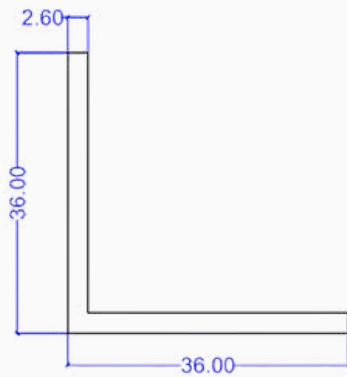
TEK 209



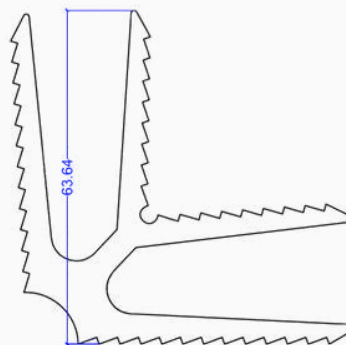
TEK 210



TEK 211-**Customized**



TEK 212- **Customized**

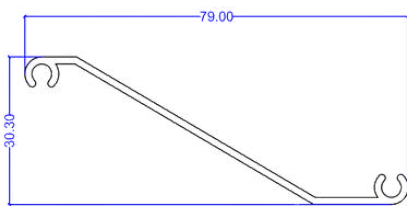


TEK 213

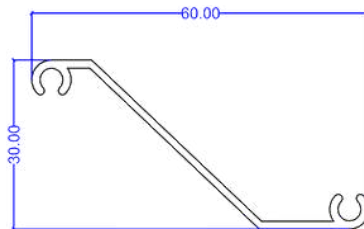


## Shutter Profiles (Louvre/Rolling)

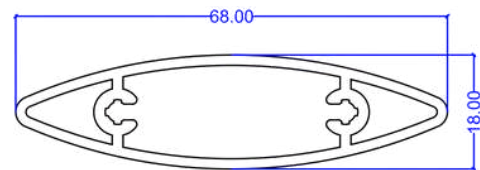
Aluminum shutter profiles are designed for strength, security, and visual appeal. They are commonly used in doors and windows, offering effective protection while allowing airflow and light control. Lightweight yet durable, they are ideal for residential and commercial applications.



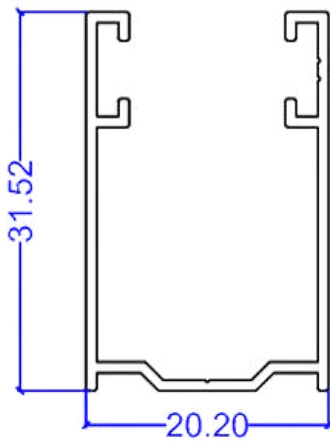
TEK 308-Louvre



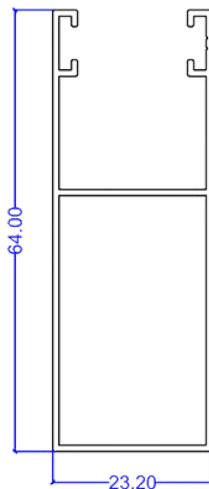
TEK 309-Louvre



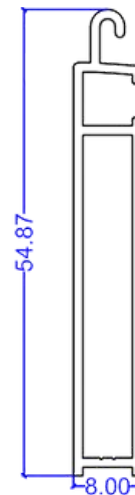
TEK ELK01-Customized Louvre



TEK 1105



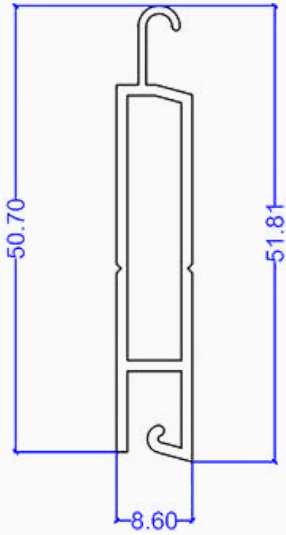
TEK 1106



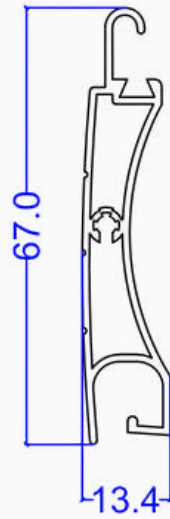
TEK 1107



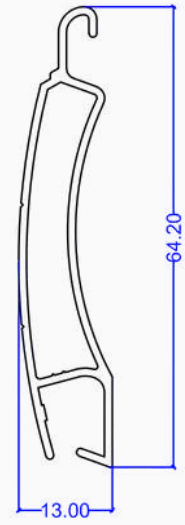
Category: Shutters



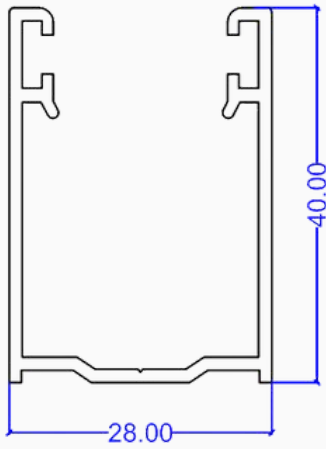
TEK 1111



TEK 1112



TEK 1116



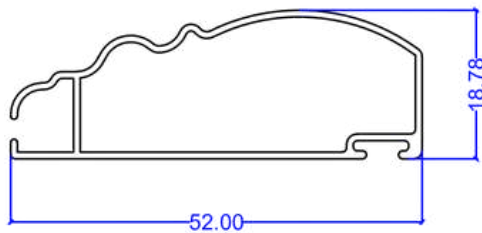
TEK 1139



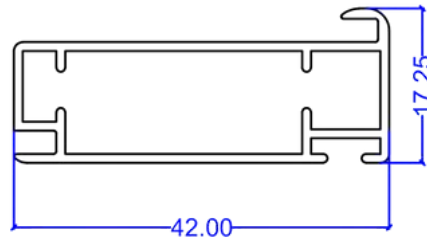


## Kitchen Profiles

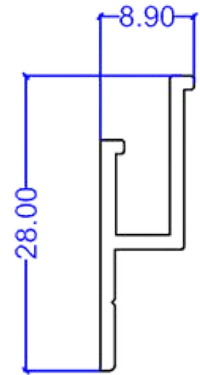
Kitchen aluminum profiles are used in the structure and finishing of modern kitchen furniture and fittings. They are commonly applied in cabinet frames, drawer handles, sliding door tracks, and edge protection. Thanks to their rust resistance, lightweight durability, and sleek appearance, these profiles are ideal for humid kitchen environments. They offer a clean, modern look while ensuring long-lasting performance and easy maintenance.



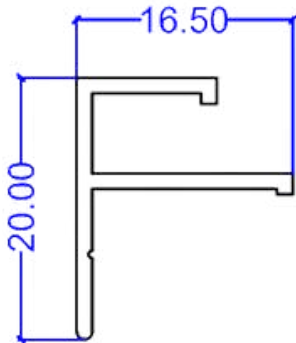
TEK 1001



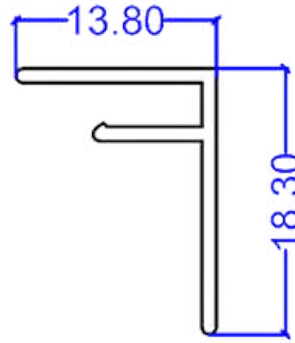
TEK 1010



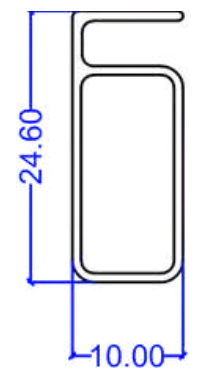
TEK 1014



TEK 1023



TEK 1301

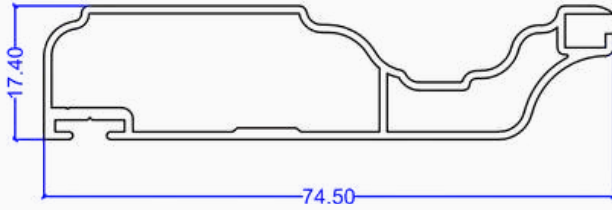


TEK 1302

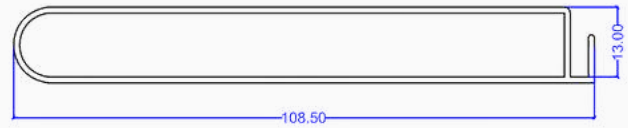


Category: Kitchen

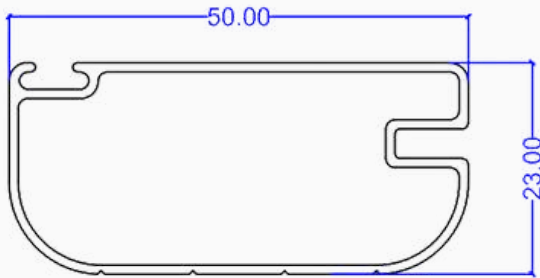
---



TEK 1304



TEK 1305



TEK 1306





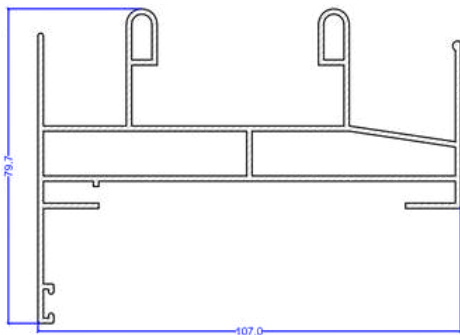
**TEKNIK**  
EXTRUSION



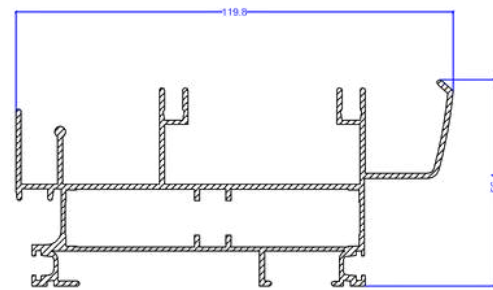


# Sliding Profiles

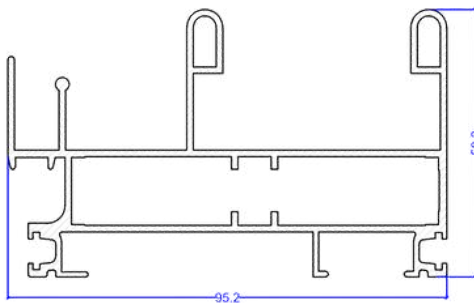
Sliding aluminum profiles are designed for smooth, space-saving movement in doors, windows, and partitions. These profiles offer a sleek and functional solution for both residential and commercial projects. Known for their durability and ease of installation, they are ideal for maximizing usable space without compromising on design.



TEK 1737



TEK 1738



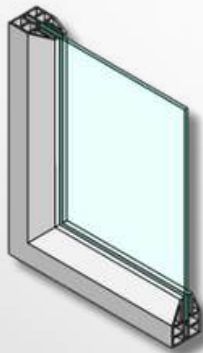
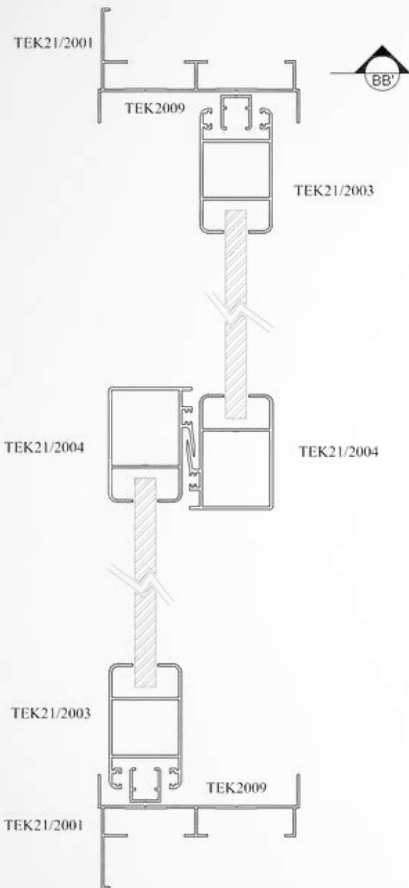
TEK 1739



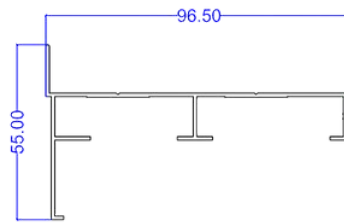


Category: Sliding

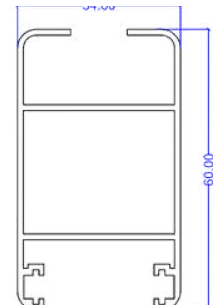
# Single Glazing



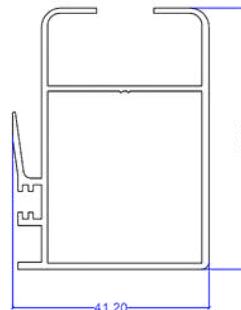
Single glazing systems are made by combining several aluminum profiles into one functional unit. Each profile has a specific role, and together they form complete solutions like sliding doors & windows. **Available in different weights and thicknesses.**



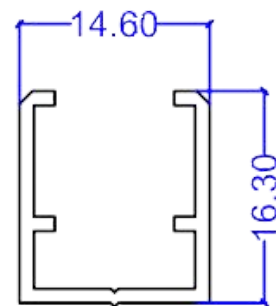
TEK 2001



TEK 2003



TEK 2004

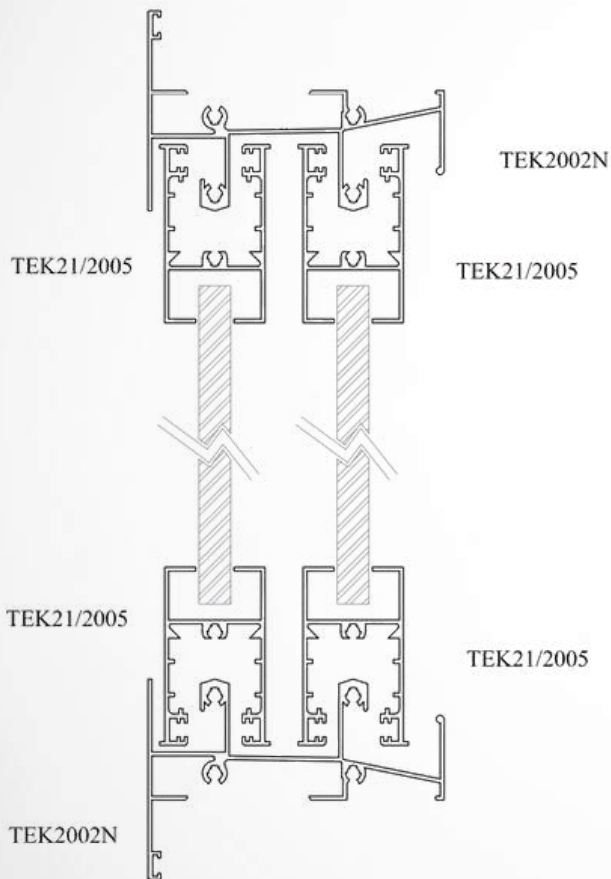


TEK 2009

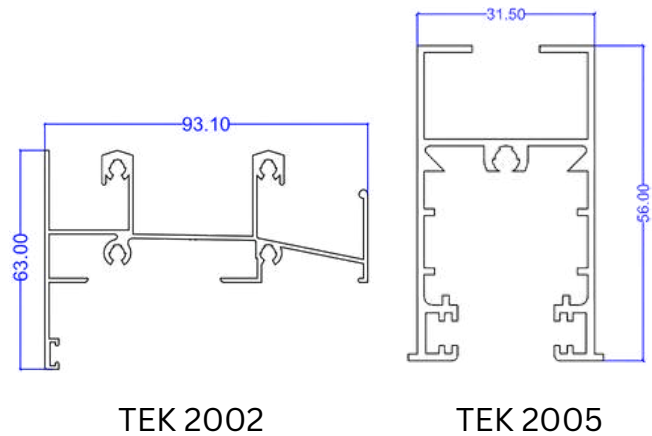


Category: Sliding

## Single Glazing



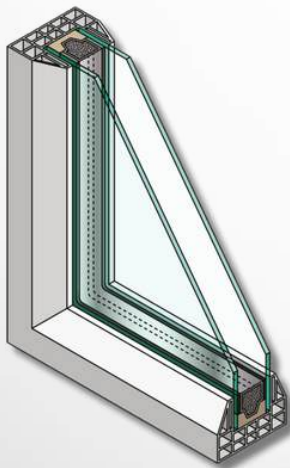
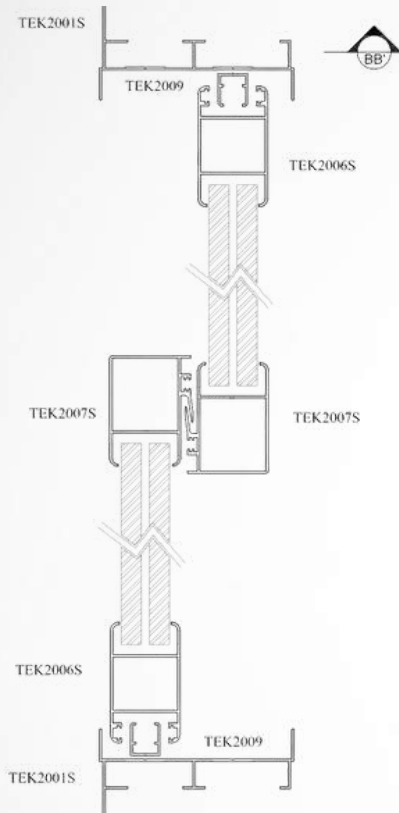
Single glazing systems are made by combining several aluminum profiles into one functional unit. Each profile has a specific role, and together they form complete solutions like sliding doors & windows. **Available in different weights and thicknesses.**



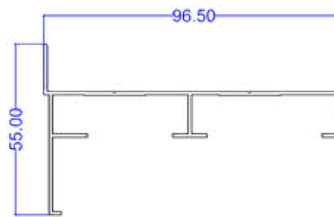


Category: Sliding

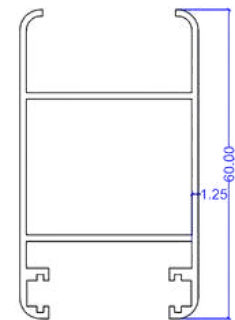
# Double Glazing



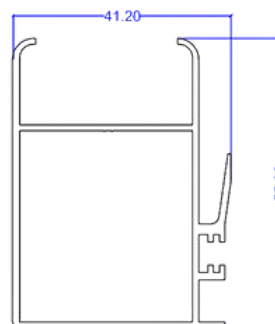
Designed to hold two glass panes, double glazing profiles offer enhanced insulation, energy efficiency, and noise reduction. Ideal for windows, doors, and modern architectural applications. **Available in various weights and thicknesses.**



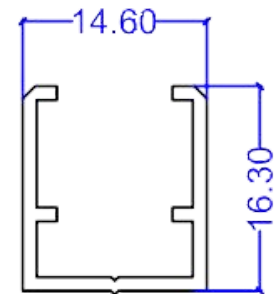
TEK 2001



TEK 2006



TEK 2007

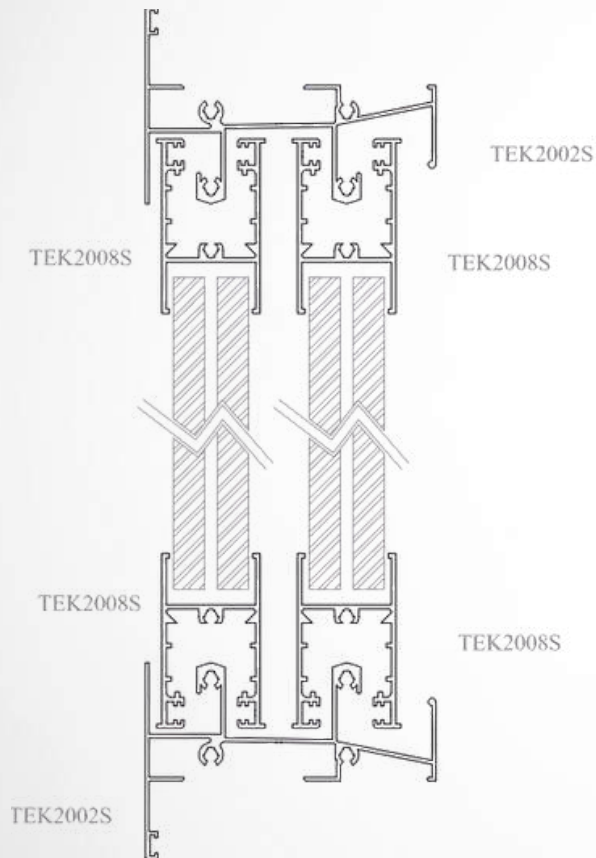


TEK 2009

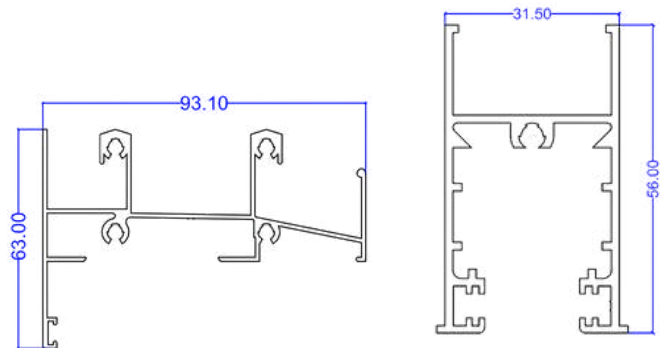


Category: Sliding

## Double Glazing



Designed to hold two glass panes, double glazing profiles offer enhanced insulation, energy efficiency, and noise reduction. Ideal for windows, doors, and modern architectural applications. **Available in various weights and thicknesses.**

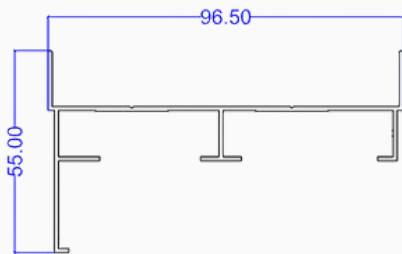


TEK 2002

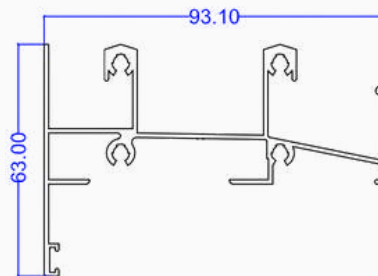
TEK 2008



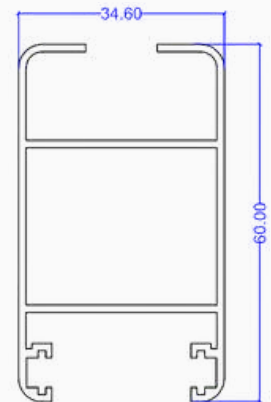
Category: Sliding



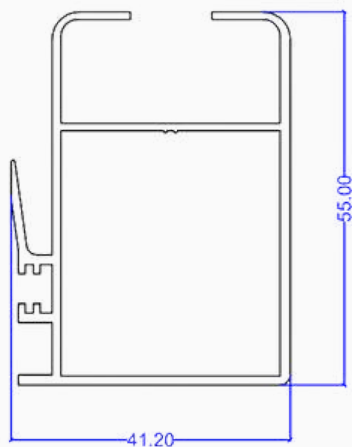
TEK 2001



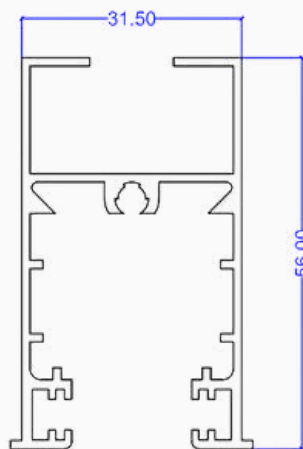
TEK 2002



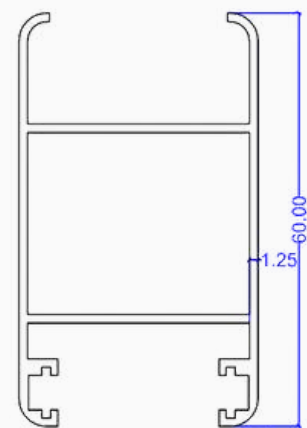
TEK 2003



TEK 2004



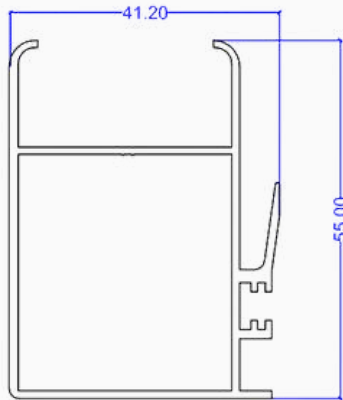
TEK 2005



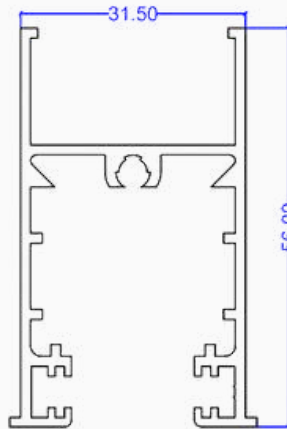
TEK 2006



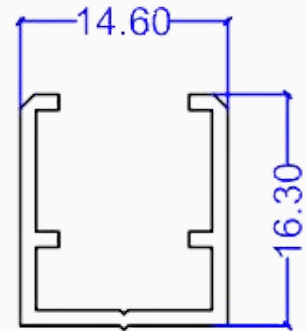
Category: Sliding



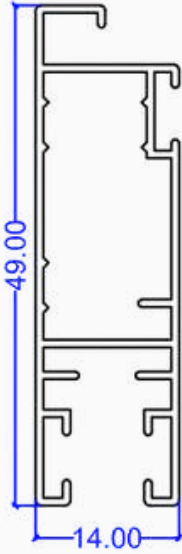
TEK 2007



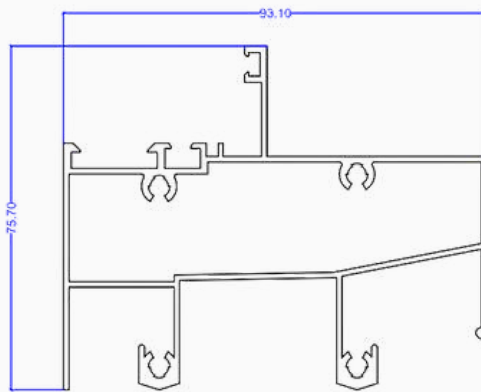
TEK 2008



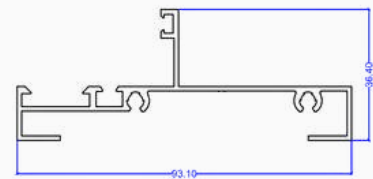
TEK 2009



TEK 2011



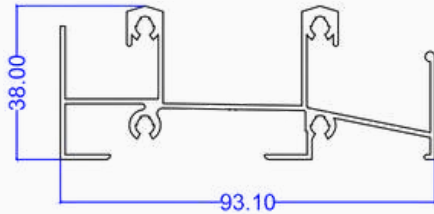
TEK 2012



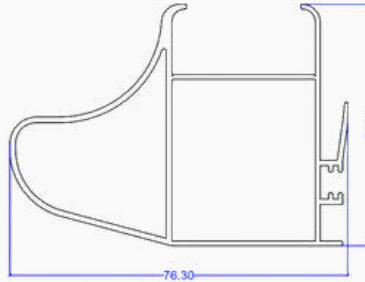
TEK 2013



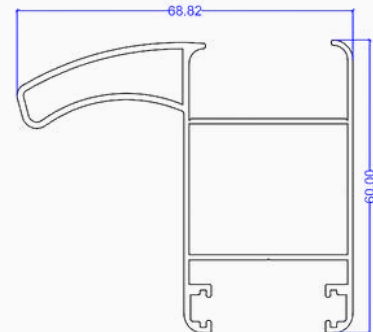
Category: Sliding



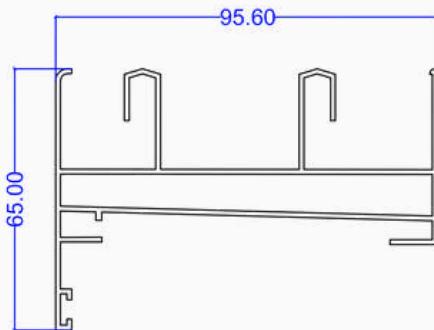
TEK 2034



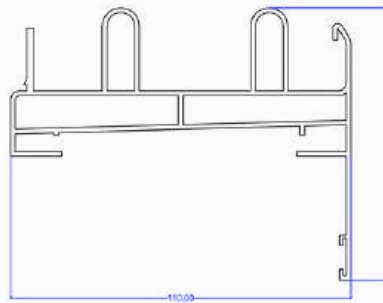
TEK 2036



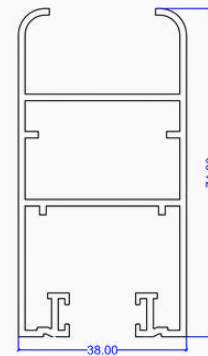
TEK 2037



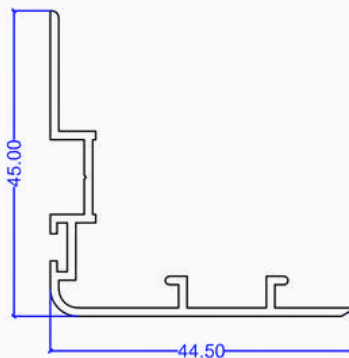
TEK M15



TEK MON01- Customized



TEK MON02- Customized



TEK MON03- Customized

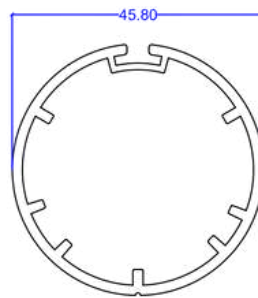


## Curtain Profiles

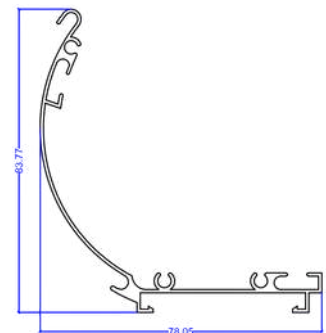
Our curtain profiles are designed to support and guide various curtain systems with ease and elegance. Made from high-quality aluminum, these profiles offer smooth functionality, modern aesthetics, and long-lasting durability. Ideal for residential, commercial, and hospitality settings, they can be customized to fit different curtain types and installation styles.



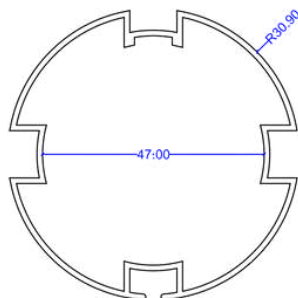
TEK 06



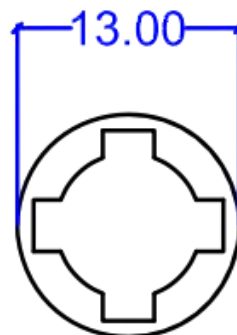
TEK 07



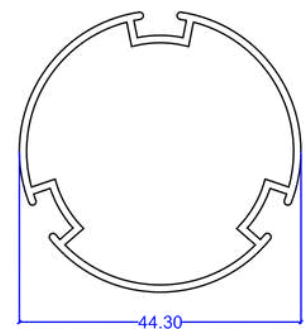
TEK 08



TEK 09



TEK 10

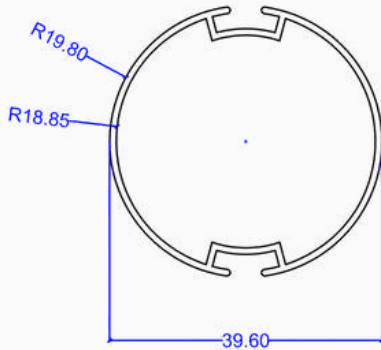


TEK 11

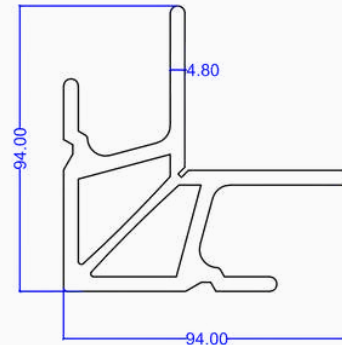




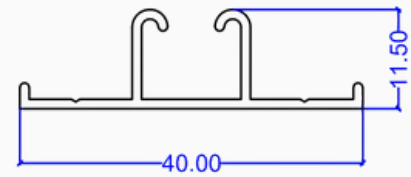
Category: Curtain



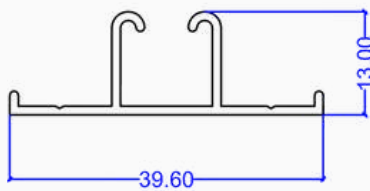
TEK 12



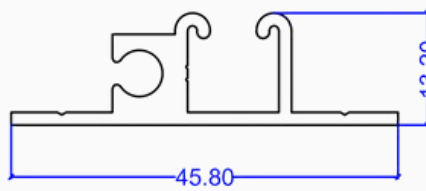
TEK 14



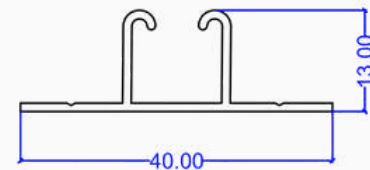
TEK 312



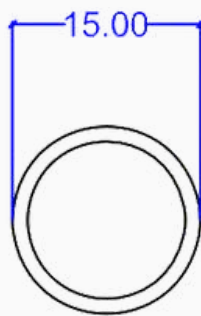
TEK 313



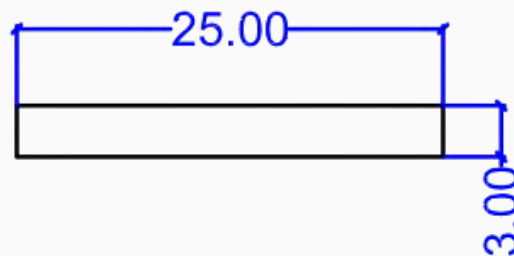
TEK 314



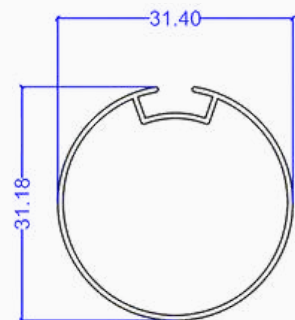
TEK 315



TEK HD01



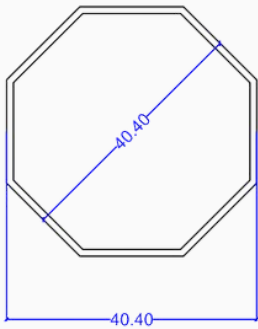
TEK HD02



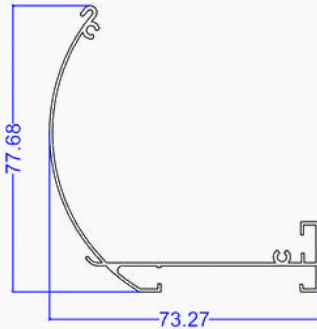
TEK HD03



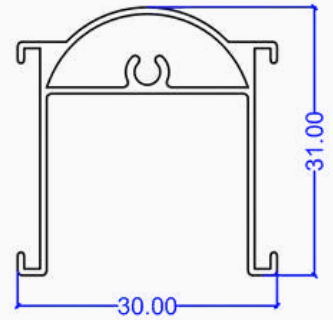
Category: Curtain



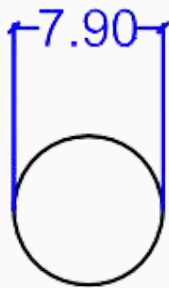
TEK HD04



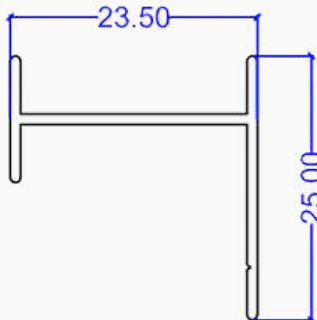
TEK HD05



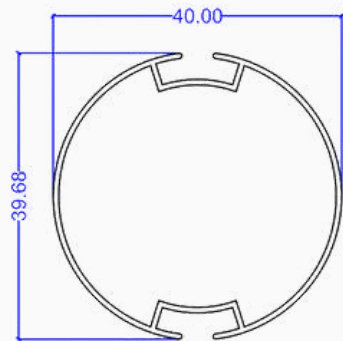
TEK HD06



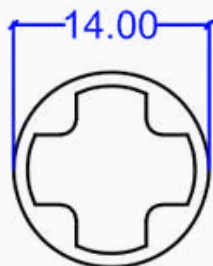
TEK HD07



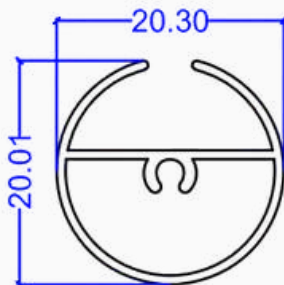
TEK HD08



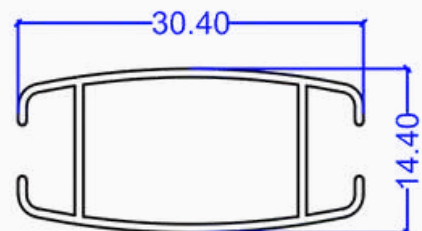
TEK HD09



TEK HD10



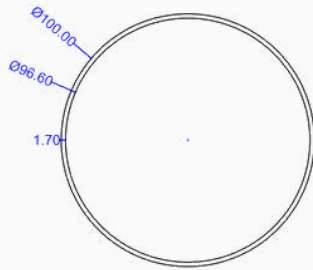
TEK HD11



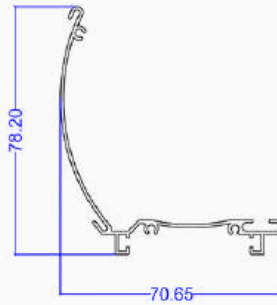
TEK HD12



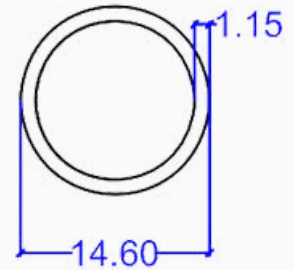
Category: Curtain



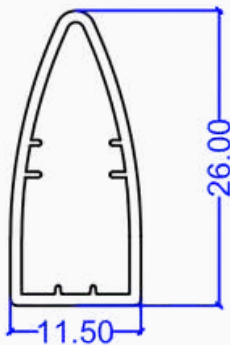
TEK HD16



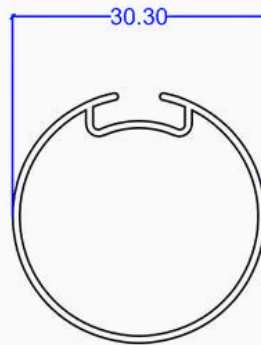
TEK JEB02- Customized



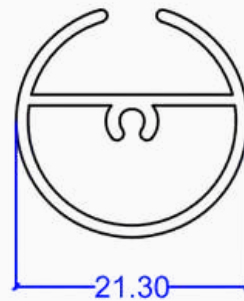
TEK JEB03- Customized



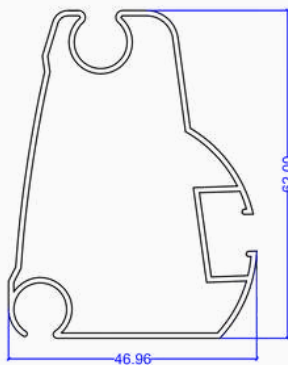
TEK JEB04- Customized



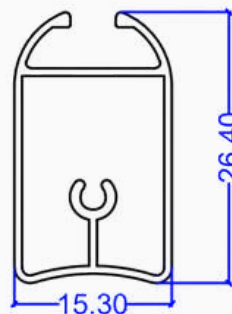
TEK JEB05- Customized



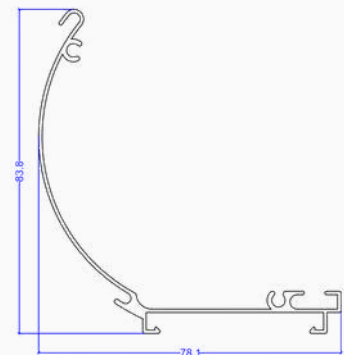
TEK JEB06- Customized



TEK MOF01 Customized



TEK MOF02 Customized

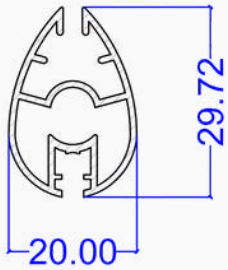


TEK MOF03 Customized

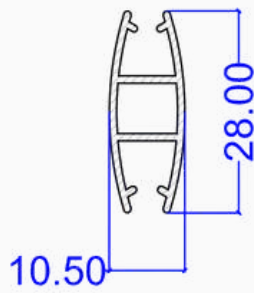


Category: Curtain

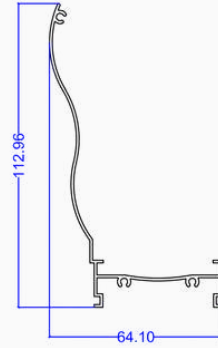
---



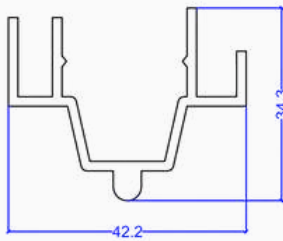
TEK WM002- Customized



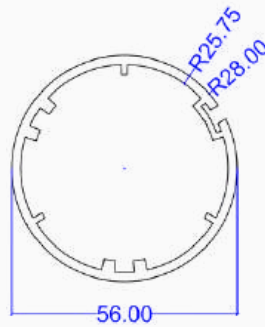
TEK WA003- Customized



TEK WA004- Customized



TEK WD006- Customized

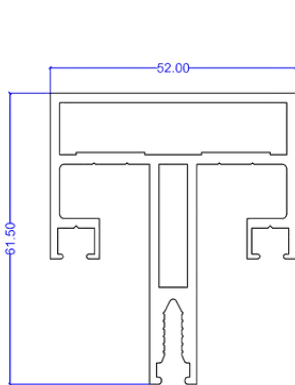


TEK MIC001- Customized

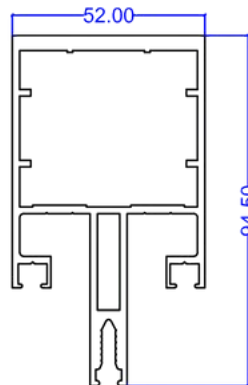


# Curtain Wall Profiles

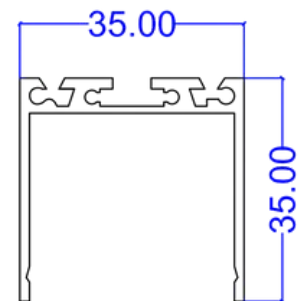
Our Curtain wall profiles are structural aluminum systems used to frame and support large glass surfaces on building exteriors. These systems are commonly used in high-rise buildings, office towers, commercial centers, and residential complexes. They offer excellent weather resistance, insulation, and a sleek architectural finish – allowing for natural light while maintaining energy efficiency. Available in mill finish, anodized, or powder-coated options.



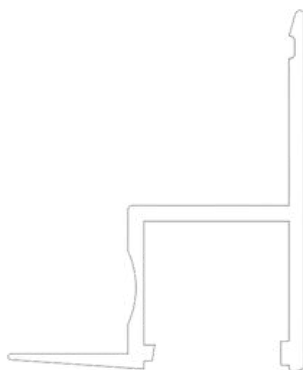
TEK 1412



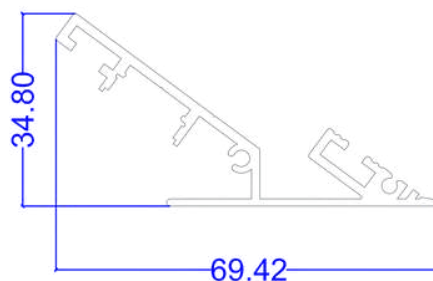
TEK 1414



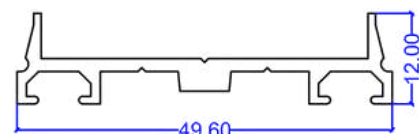
TEK 1418



TEK 1421



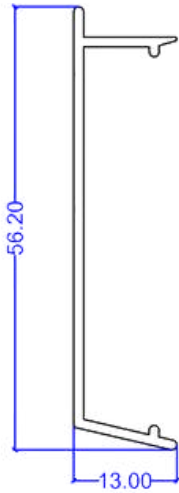
TEK 1422



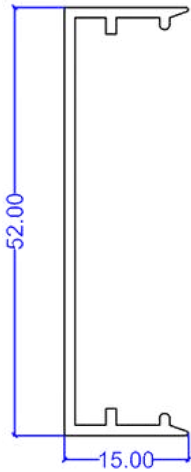
TEK 1425



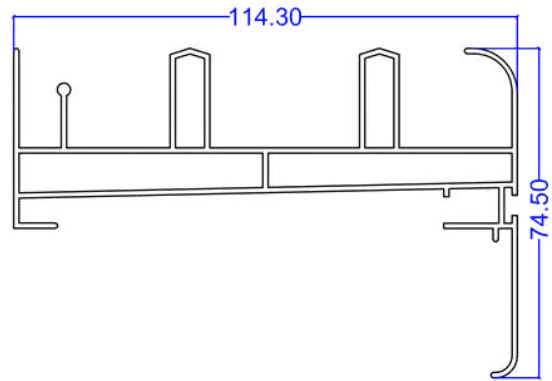
Category: Curtain Wall



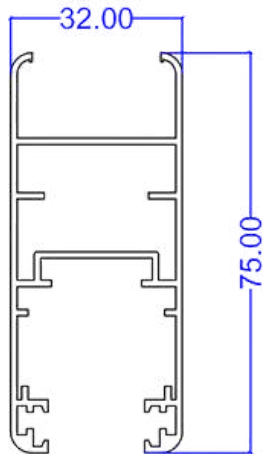
TEK 1426



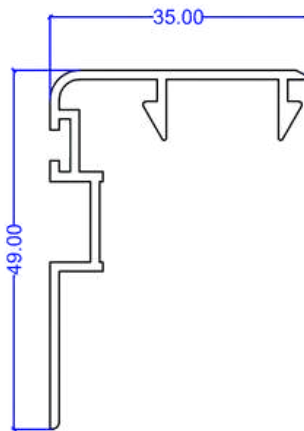
TEK 1427



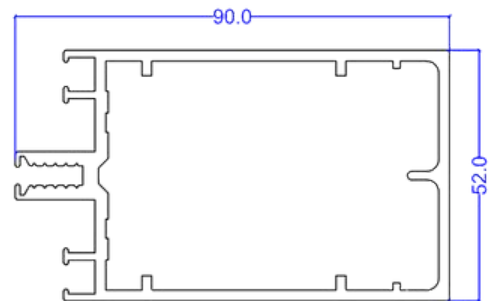
TEK 1430- Customized



TEK 1431- Customized



TEK 1432- Customized

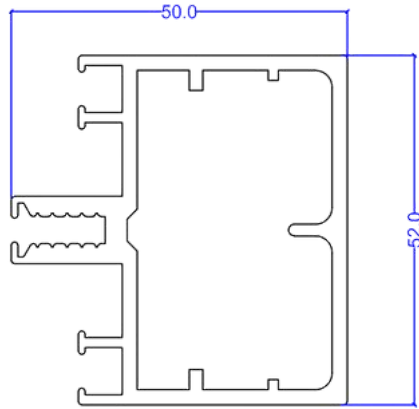


TEK 1434



Category: Curtain Wall

---



TEK 1435

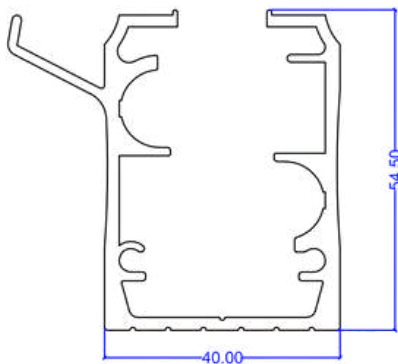




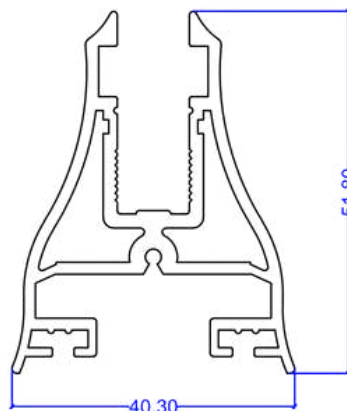


# Curtain Glass Profiles

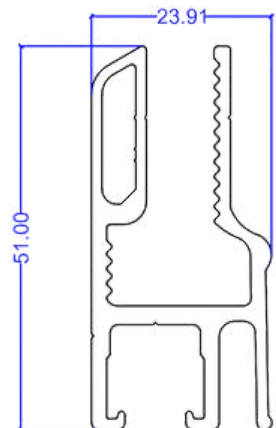
Curtain glass profiles are slim, lightweight aluminum sections designed to hold and secure individual glass panels. Ideal for interior glass partitions, balconies, frameless glass doors, and showroom displays, they provide a clean and modern appearance while ensuring structural integrity. These profiles are suitable for both residential and commercial spaces, and come in various finishes to suit design needs.



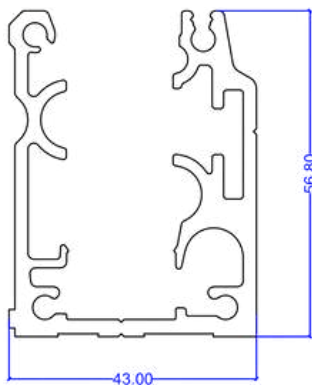
TEK-GEN01- Customized



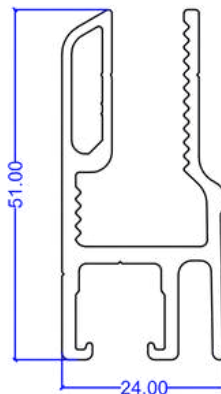
TEK-GEN02-Customized



TEK-K01-Customized



TEK-K02-Customized



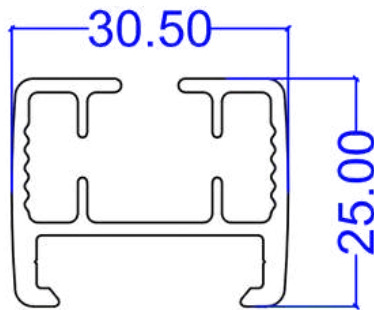
TEK-K03- Customized



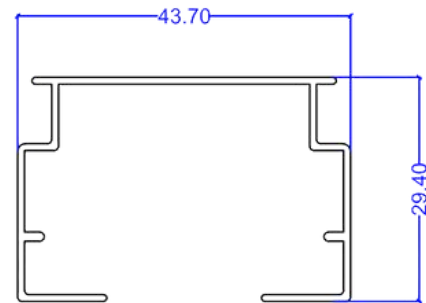


## Internal Curtain Profiles

Internal curtain profiles are used to create smooth and stylish partitions within interior spaces. Designed for modern applications, they offer a clean and minimal look while allowing flexible configurations for dividing rooms or sections. Ideal for offices, homes, and commercial spaces.



TEK 833

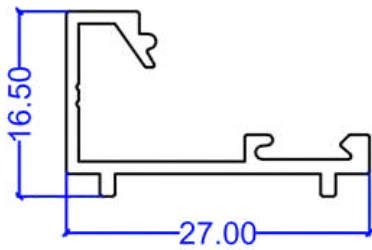


TEK 1501- **Customized**

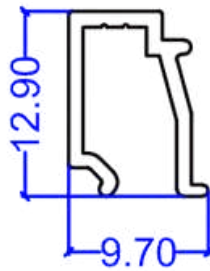


# Parclose Profiles

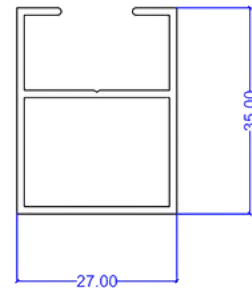
Parclose profiles are designed to hold and secure infill materials such as glass or panels within aluminum framing systems. Commonly used in curtain walls, balustrades, and partitions, they ensure a clean finish and structural stability. Lightweight and corrosion-resistant, parclose profiles offer both functional support and aesthetic refinement across a variety of architectural and interior applications.



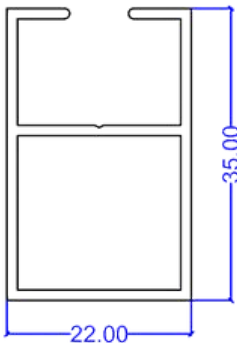
TEK 730



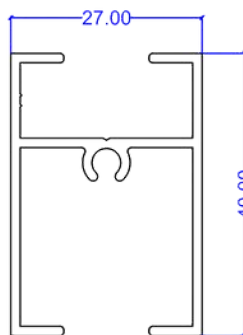
TEK 731



TEK 732



TEK 734

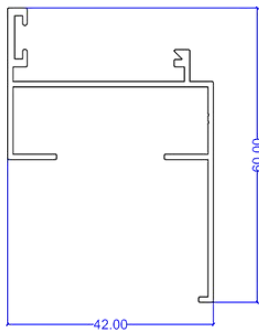


TEK 735

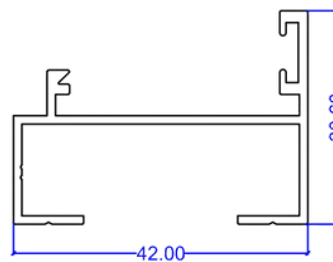


# Doors Profiles

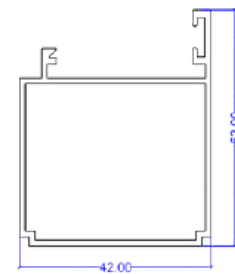
Aluminum door profiles are engineered for strength, durability, and smooth functionality. Used in residential, commercial, and industrial doors, they support various systems such as hinged, sliding, or pivot designs. Available in different finishes, thicknesses, and weights to match your project requirements.



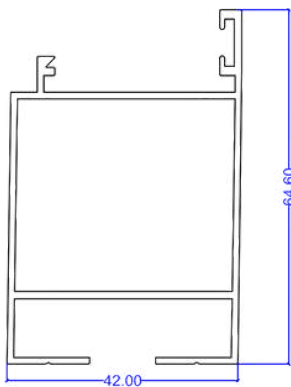
TEK 504



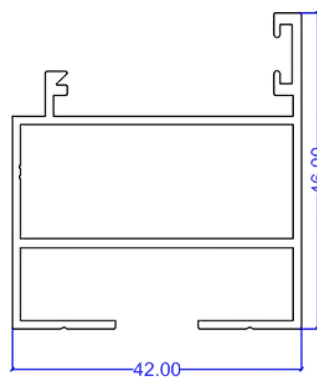
TEK 506



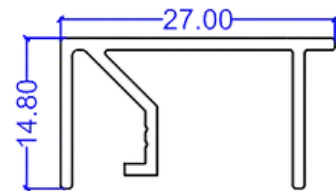
TEK 507



TEK 508



TEK 509

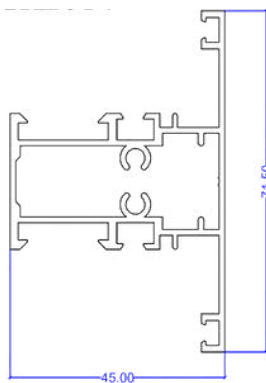


TEK 516

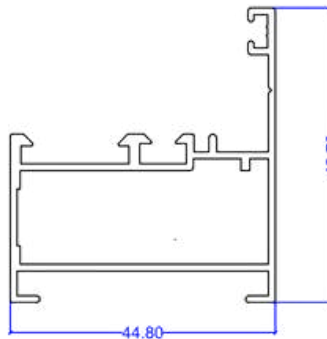


## Door Hinges Profiles

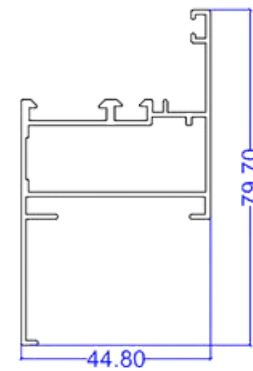
Aluminum door hinge profiles are designed to ensure smooth, reliable movement and secure alignment of doors. They are used in both interior and exterior aluminum door systems, providing strength and long-lasting performance. Available in multiple finishes to match your door design and enhance durability.



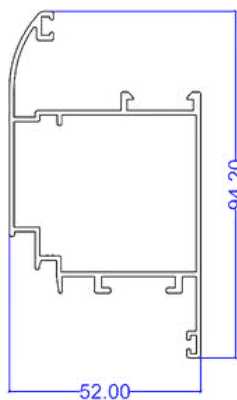
TEK 2014



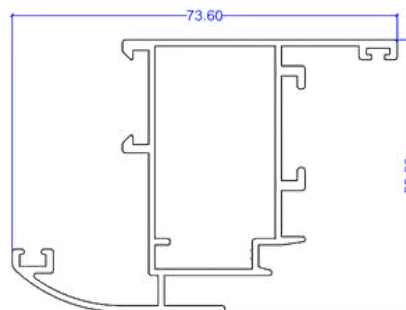
TEK 2015



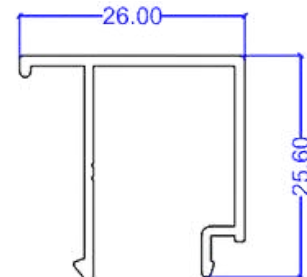
TEK 2016



TEK 2017



TEK 2018

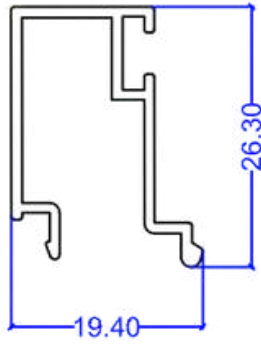


TEK 2019

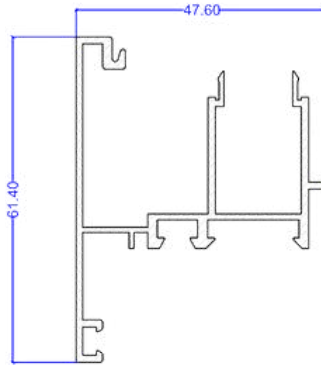


Category: Door Hinges

---



TEK 2020

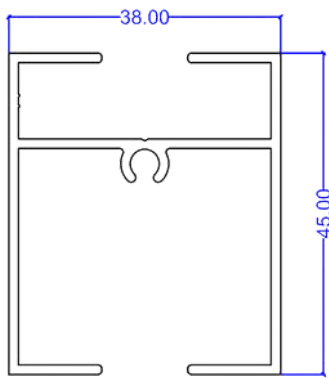


TEK 2022

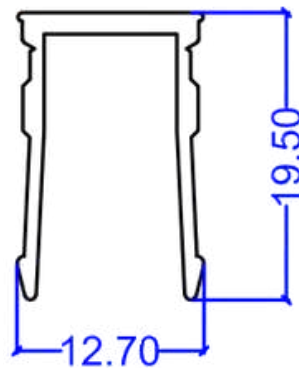


## Dividers Profiles

Aluminum divider profiles are used to separate spaces or panels within doors, windows, partitions, or glass installations. They offer structural support while maintaining a clean, minimal look. Ideal for both functional and decorative applications, and available in various finishes and sizes to suit your design needs.



TEK 917

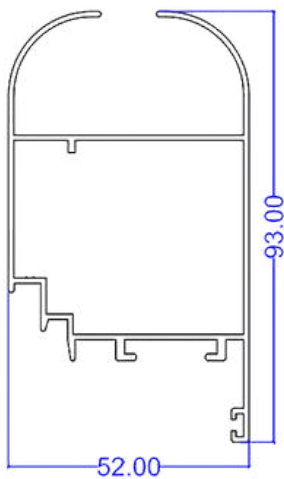


TEK 918

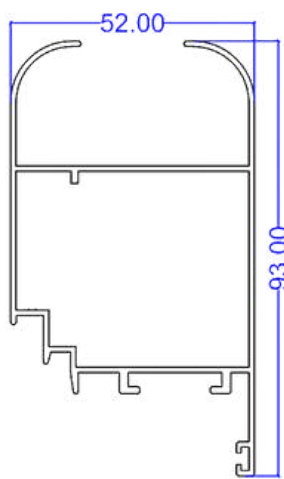


## Hinges Profiles

Hinges profiles are essential components in aluminum door systems, designed to house and support hinge mechanisms. They ensure proper door alignment, smooth operation, and long-term durability. Suitable for residential, commercial, and industrial applications, and available in mill finish, anodized, or powder-coated options.



TEK 2040

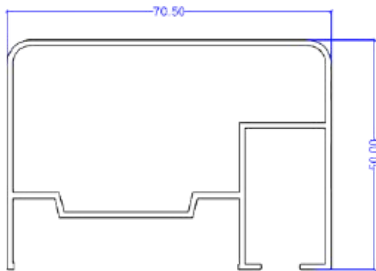


TEK 2041

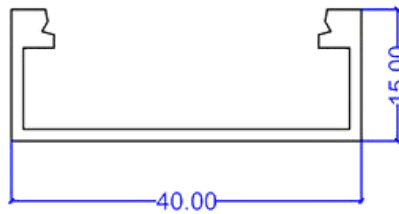


## Balustrades Profiles

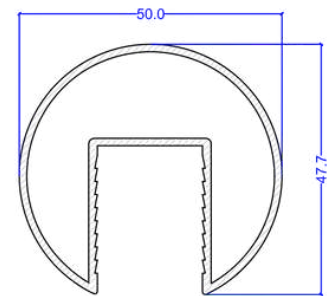
Balustrade profiles are designed to provide structural support and safety for railings and balcony systems. They are commonly used in staircases, balconies, terraces, and walkways. These profiles offer both strength and a sleek, modern appearance, and are available in mill finish, anodized, or powder-coated finishes to suit different design preferences and environments.



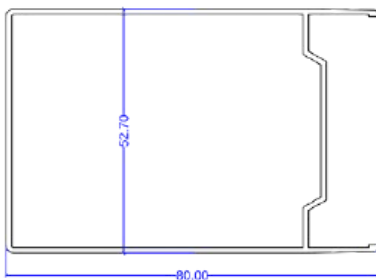
TEK 401



TEK 406



TEK 410



TEK 411





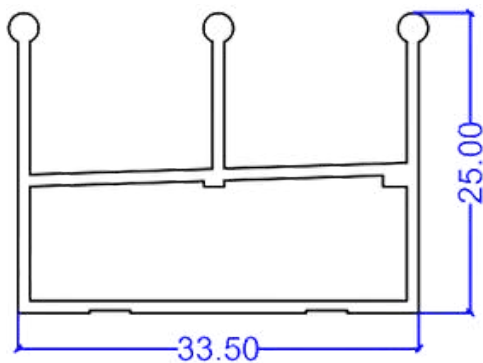
**TEKNIK**  
EXTRUSION



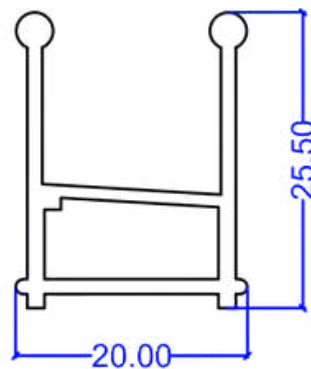


## Shower Cabinet Profiles

Shower cabinet profiles are specially designed for assembling and supporting glass panels in shower enclosures. They offer a clean, water-resistant, and durable framing solution that ensures stability and enhances the overall look of the shower space. Available in mill finish, anodized, and powder-coated finishes to match various bathroom styles.



TEK 02



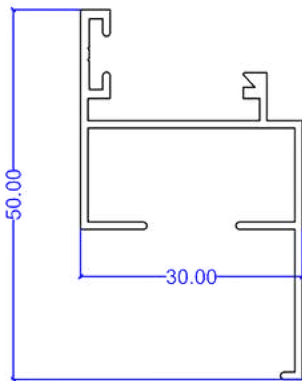
TEK 03



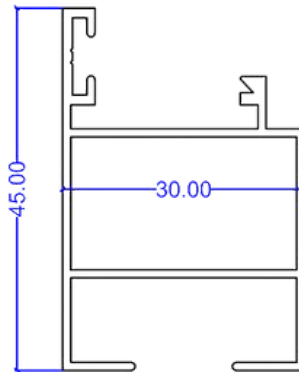


## Bathroom Windows Profiles

Bathroom window profiles are crafted to withstand moisture and humidity, providing a strong, corrosion-resistant frame for ventilation and natural light. These aluminum profiles offer a clean, modern look .



TEK 608

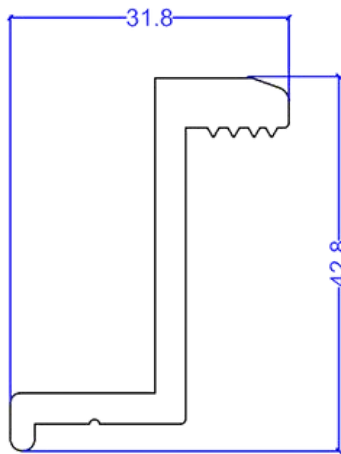


TEK 616

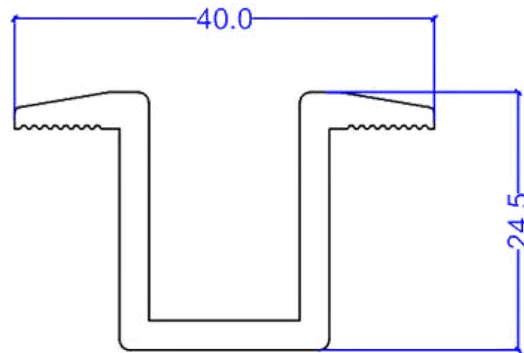


## Solar Panel Profiles

Solar panel profiles are specialized aluminum extrusions designed to securely mount and support solar panels on rooftops, ground mounts, or other structures. These profiles ensure the panels are properly aligned, stable, and resistant to environmental stressors.



TEK WS001- **Customized**

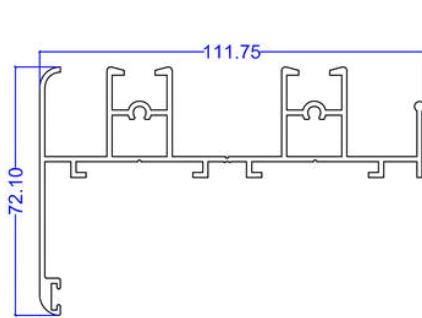


TEK WS002- **Customized**

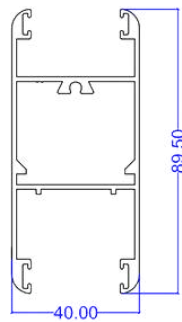


## Other Customized Profiles

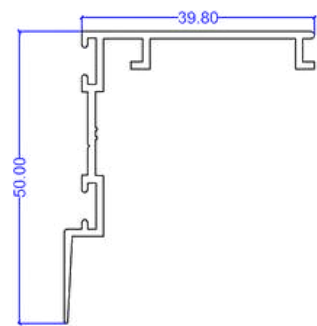
Our Other Customized Profiles category offers a wide range of specialized aluminum extrusions tailored to meet unique and specific design requirements across various industries. Whether you need profiles for structural applications, custom framing, or specialized components, we provide solutions that are crafted to your exact specifications. These profiles can be designed in different shapes, sizes, and finishes, including mill finish, anodized, or powder-coated, ensuring they meet both aesthetic and functional needs.



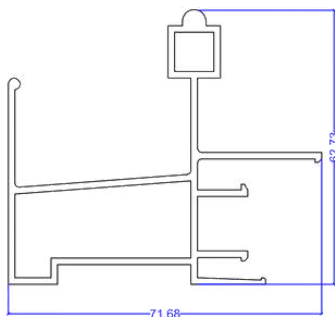
TEK 31404



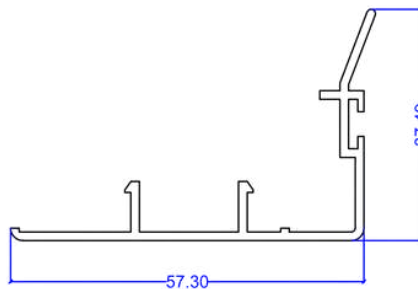
TEK 31405



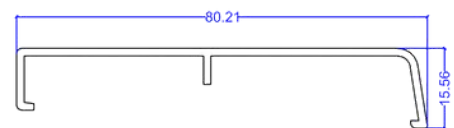
TEK 31406



TEK TNK02



TEK TNK03

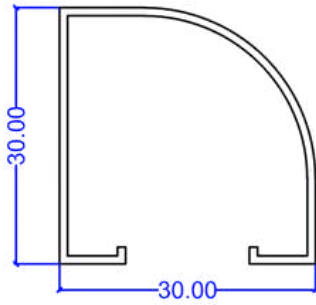


TEK TNK04

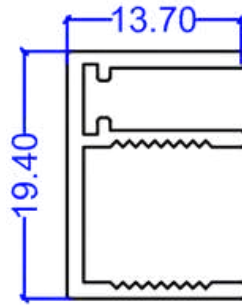


Category: Other Customized

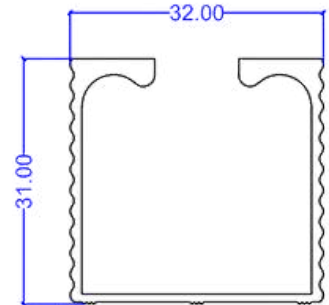
---



TEK P001



TEK ER01



TEK 5120



## Looking for Custom Aluminum Profiles?

At Teknik Extrusion, we manufacture aluminum profiles based on your specific requirements—whether it’s a custom length, width, thickness, or specialized design.

To discuss your project and technical specifications, get in touch with our team:

✉ [info@teknikextrusions.com](mailto:info@teknikextrusions.com)

☎ +1 263-881-1128

🌐 [www.teknikextrusion.com](http://www.teknikextrusion.com)

📱 Scan the QR code to reach us directly.



SCAN HERE

