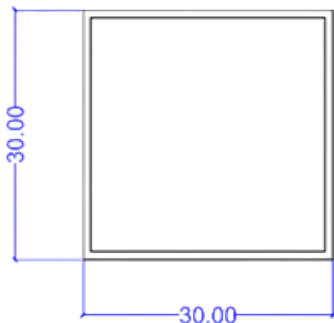




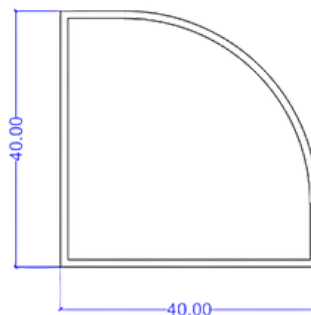
Tube Profiles

Our aluminum extrusion tube profiles are designed for strength, durability, and easy integration into various projects. Available in different shapes, they are lightweight, corrosion-resistant, and suitable for both structural and decorative use.

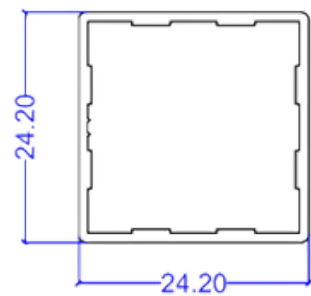
Common applications include partitions, railings, frames, displays, furniture systems, and curtain tracks.



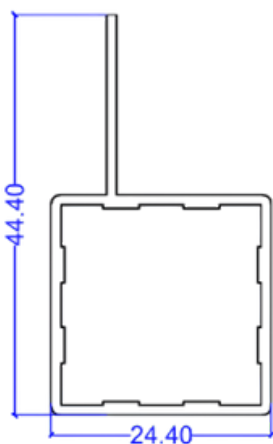
TEK 102



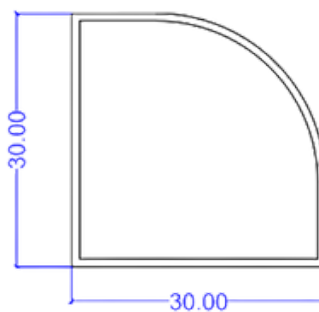
TEK 103



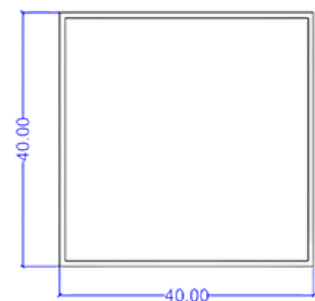
TEK 104



TEK 105



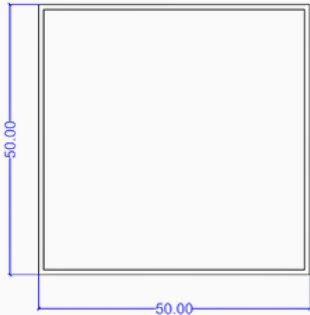
TEK 106



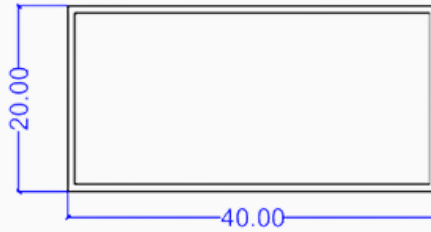
TEK 107



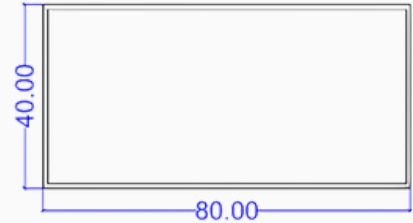
Category: Tubes



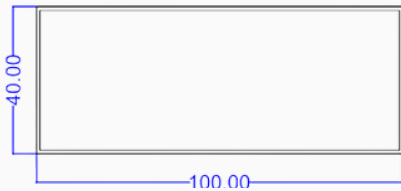
TEK 108



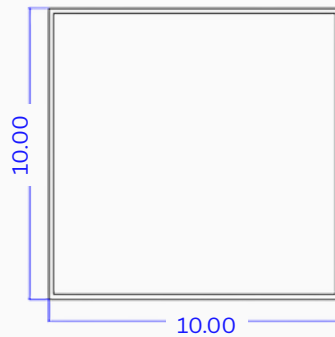
TEK 111



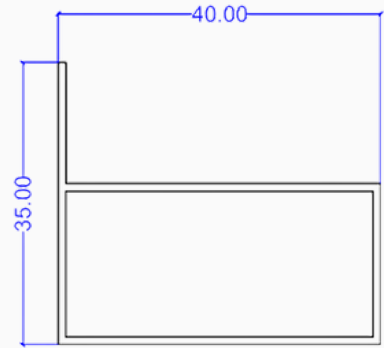
TEK 112



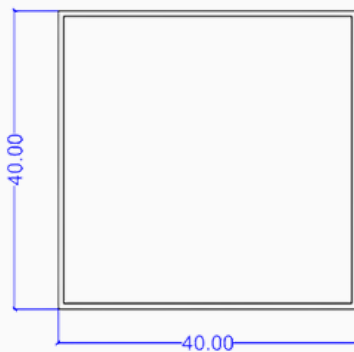
TEK 114



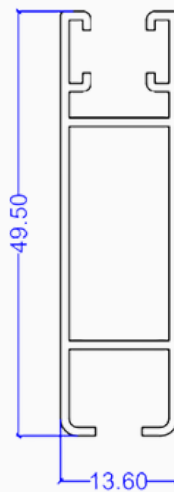
TEK 115



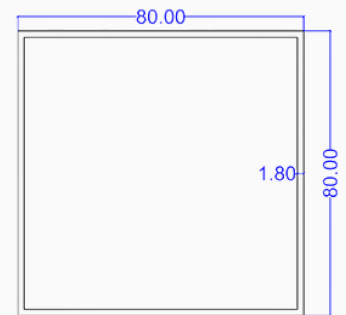
TEK 118



TEK 121



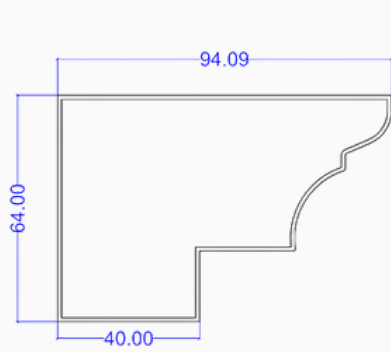
TEK 122



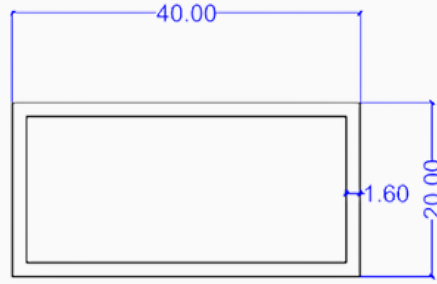
TEK 125



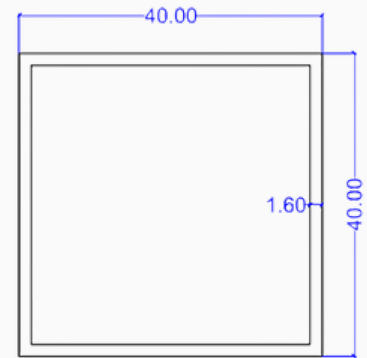
Category: Tubes



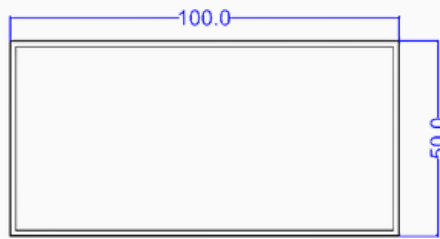
TEK 128



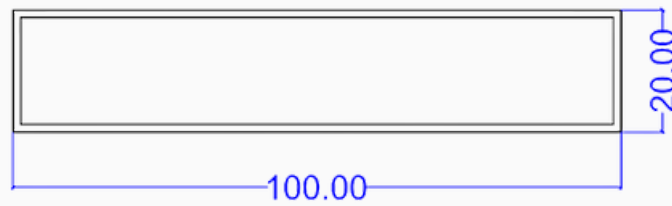
TEK 130



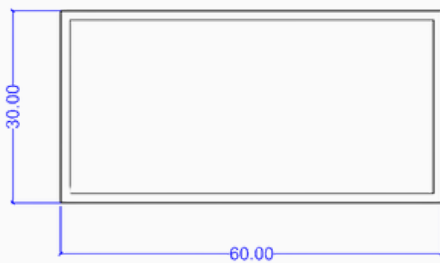
TEK 131



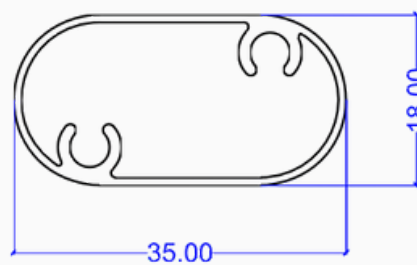
TEK 132



TEK 135



TEK 136



TEK 153