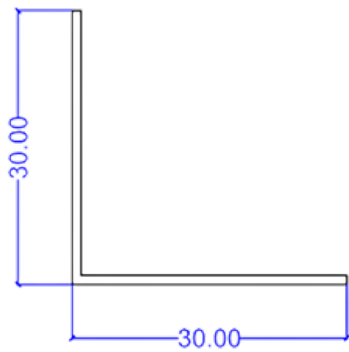


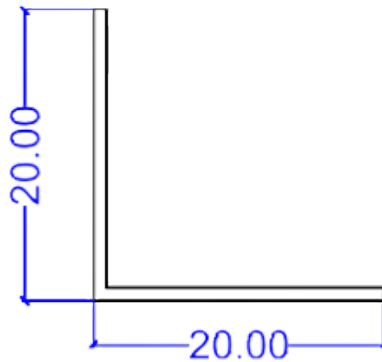


Corner Profiles

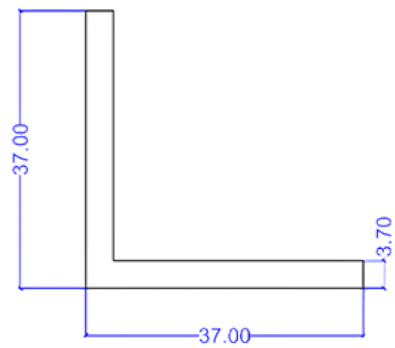
Aluminum corner profiles are used to protect edges, provide clean finishes, and enhance the appearance of corners in various applications. They offer both functional support and a sleek look, making them ideal for use in furniture, partitions, wall trims, and frame systems.



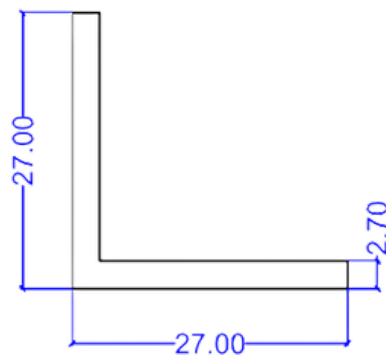
TEK 203



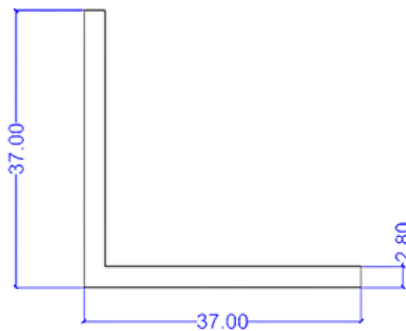
TEK 204



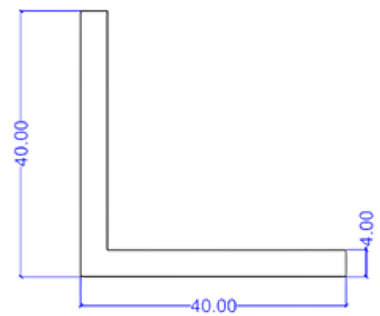
TEK 205



TEK 206



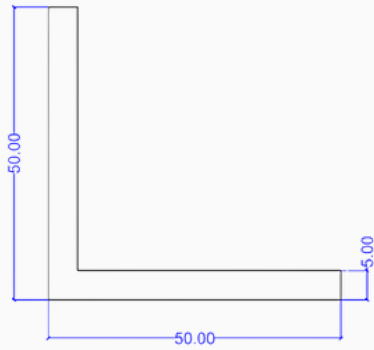
TEK 207



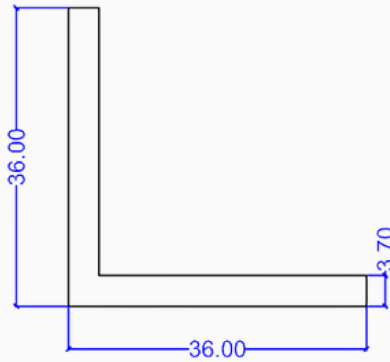
TEK 208



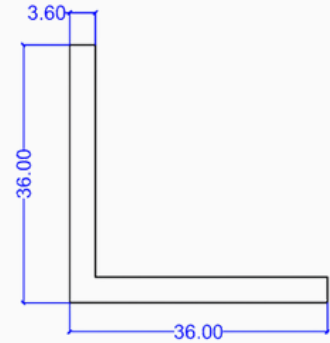
Category: Corners



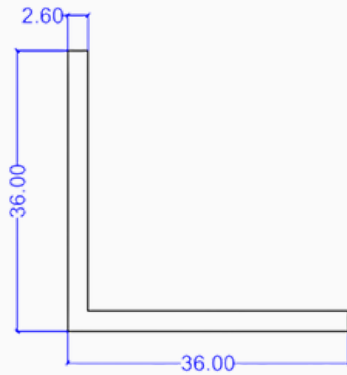
TEK 209



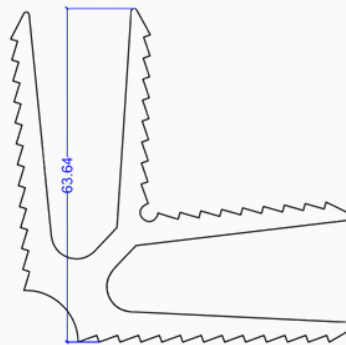
TEK 210



TEK 211-**Customized**



TEK 212- **Customized**



TEK 213