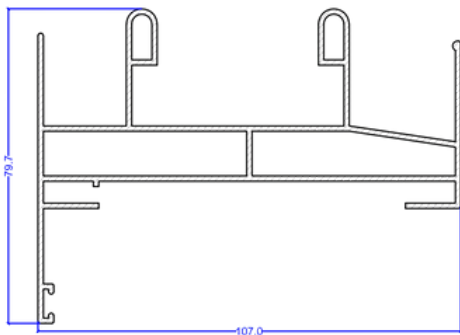


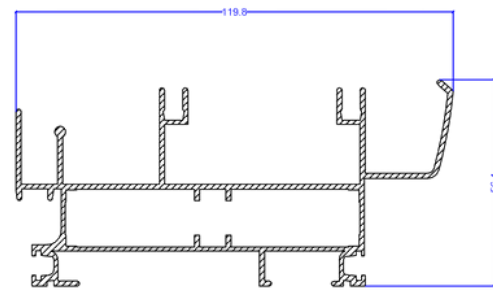


Sliding Profiles

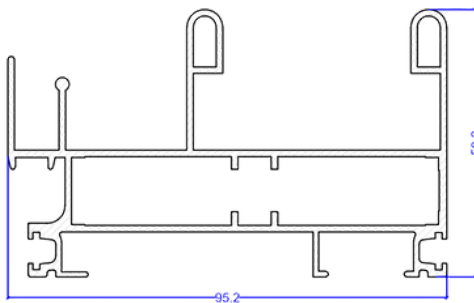
Sliding aluminum profiles are designed for smooth, space-saving movement in doors, windows, and partitions. These profiles offer a sleek and functional solution for both residential and commercial projects. Known for their durability and ease of installation, they are ideal for maximizing usable space without compromising on design.



TEK 1737



TEK 1738

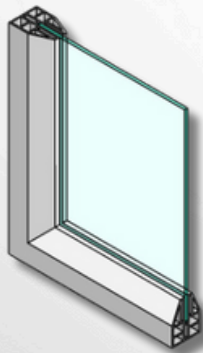
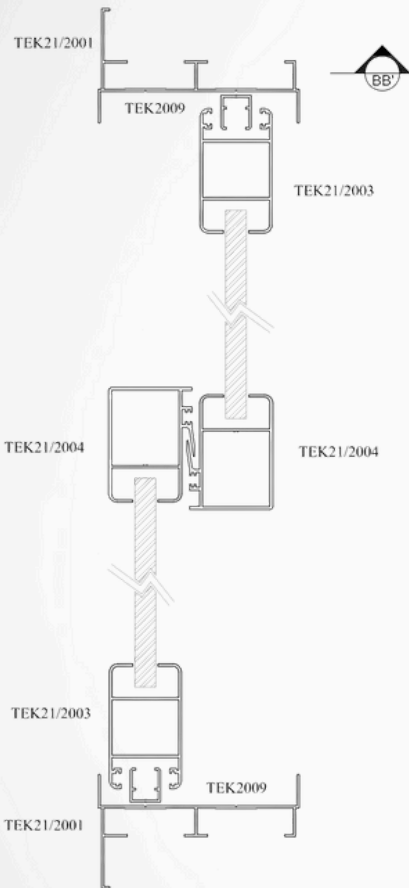


TEK 1739

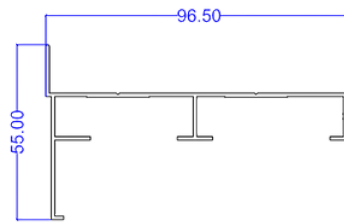


Category: Sliding

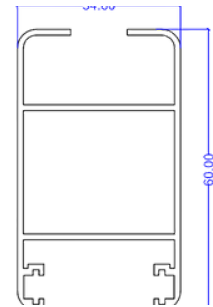
Single Glazing



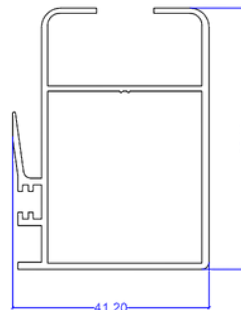
Single glazing systems are made by combining several aluminum profiles into one functional unit. Each profile has a specific role, and together they form complete solutions like sliding doors & windows. **Available in different weights and thicknesses.**



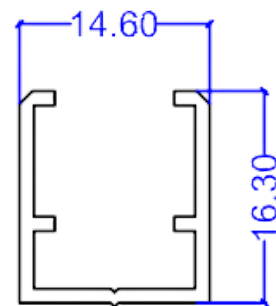
TEK 2001



TEK 2003



TEK 2004

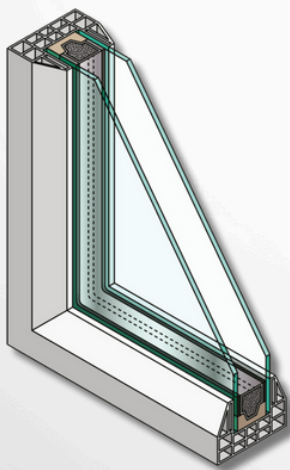
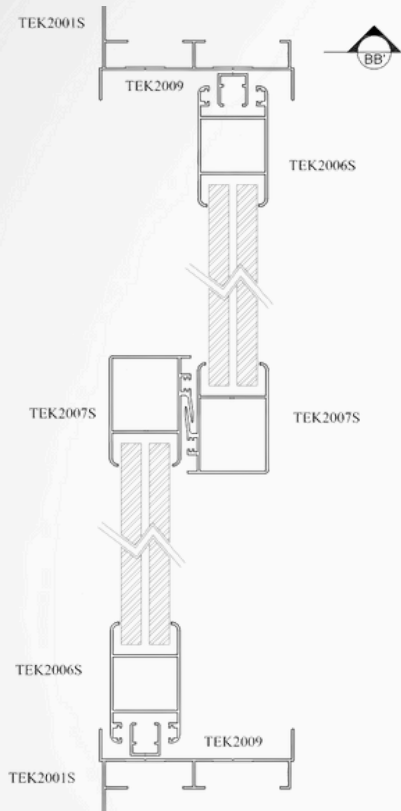


TEK 2009

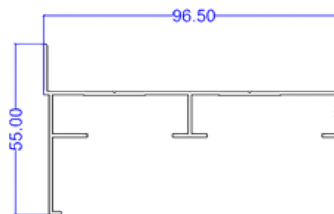


Category: Sliding

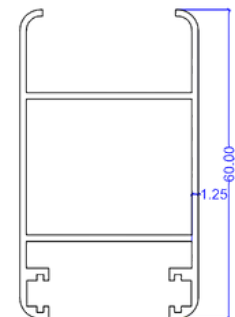
Double Glazing



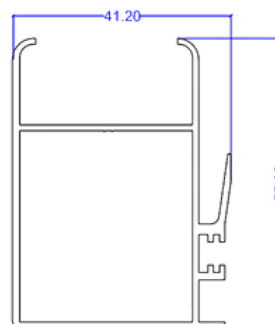
Designed to hold two glass panes, double glazing profiles offer enhanced insulation, energy efficiency, and noise reduction. Ideal for windows, doors, and modern architectural applications. **Available in various weights and thicknesses.**



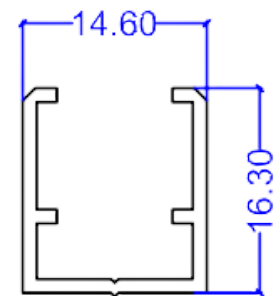
TEK 2001



TEK 2006



TEK 2007

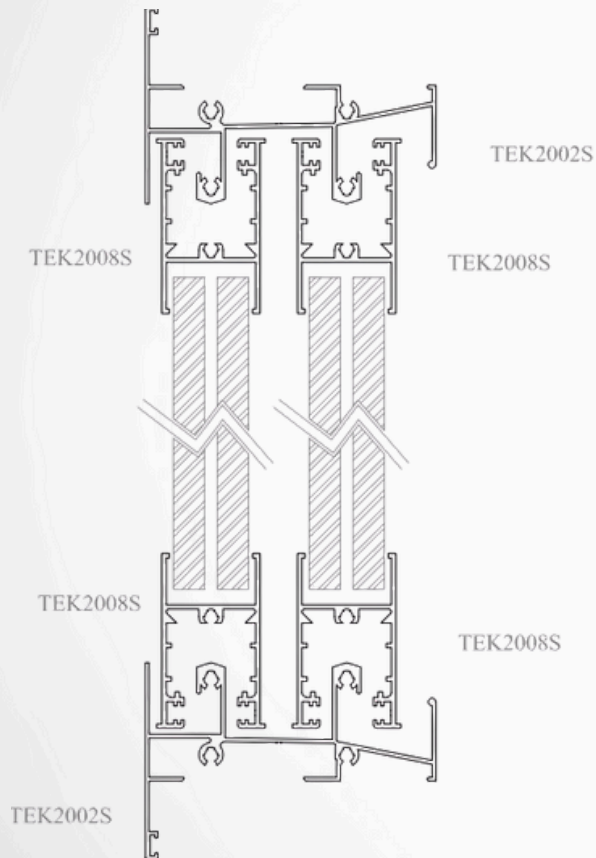


TEK 2009

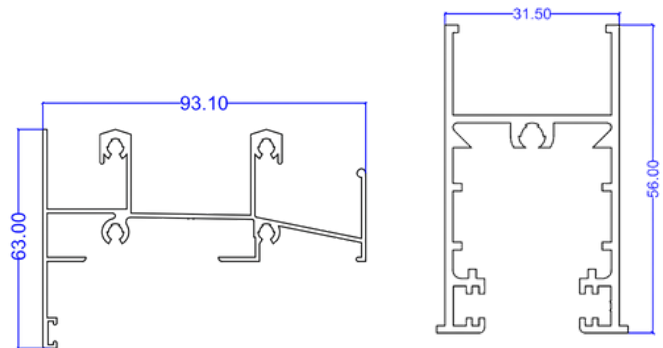


Category: Sliding

Double Glazing



Designed to hold two glass panes, double glazing profiles offer enhanced insulation, energy efficiency, and noise reduction. Ideal for windows, doors, and modern architectural applications. **Available in various weights and thicknesses.**

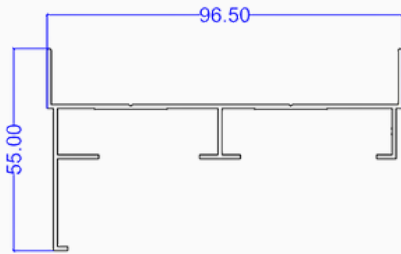


TEK 2002

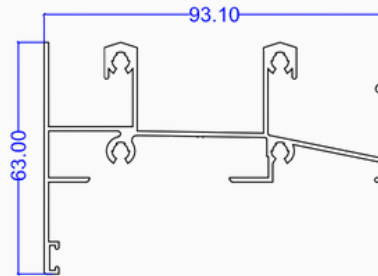
TEK 2008



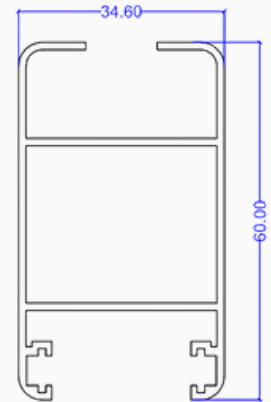
Category: Sliding



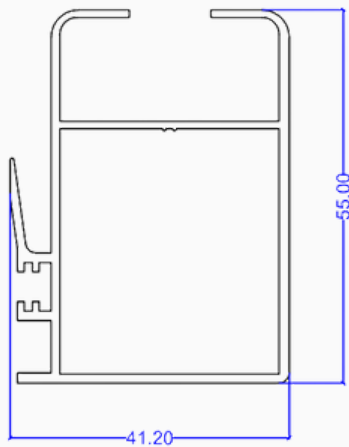
TEK 2001



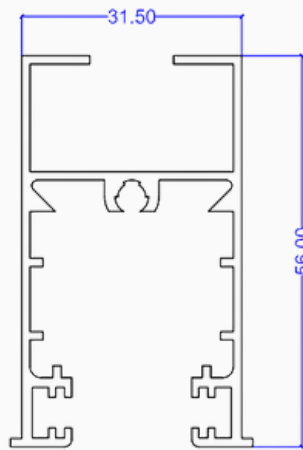
TEK 2002



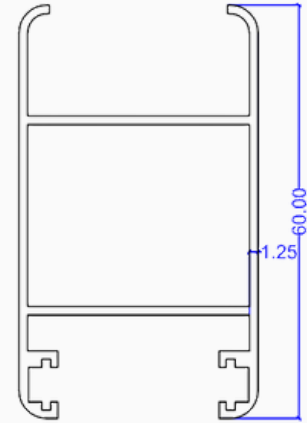
TEK 2003



TEK 2004



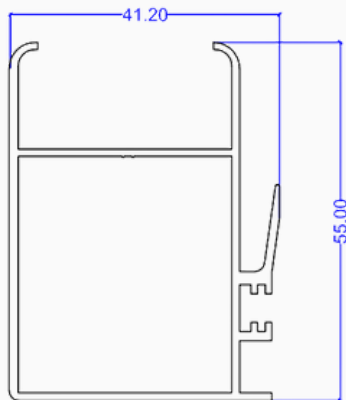
TEK 2005



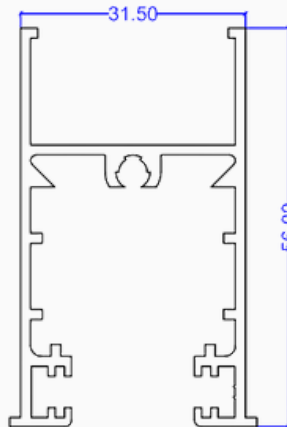
TEK 2006



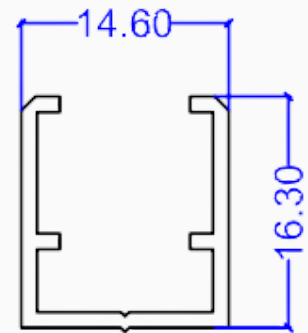
Category: Sliding



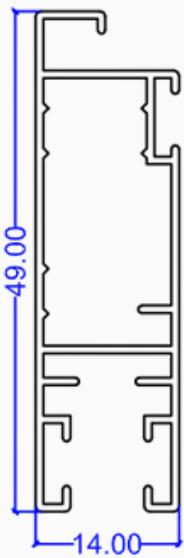
TEK 2007



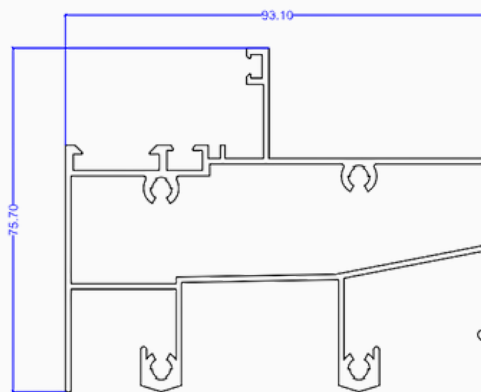
TEK 2008



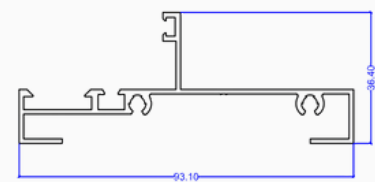
TEK 2009



TEK 2011



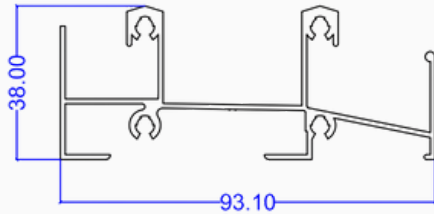
TEK 2012



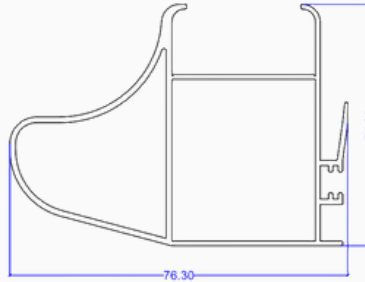
TEK 2013



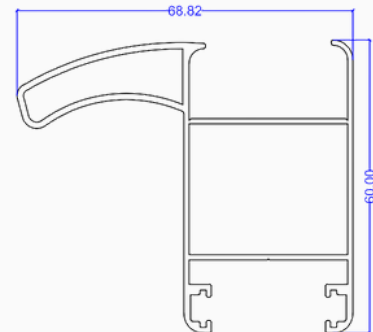
Category: Sliding



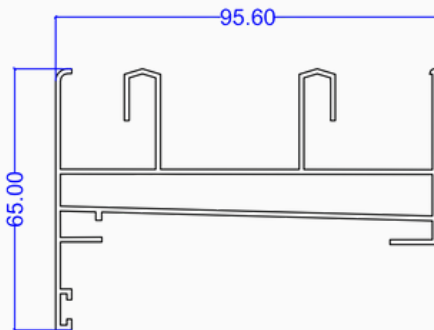
TEK 2034



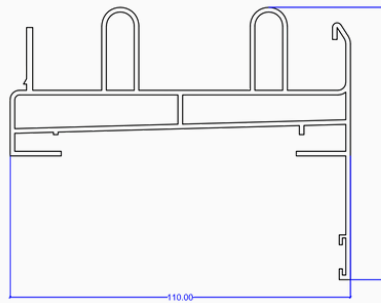
TEK 2036



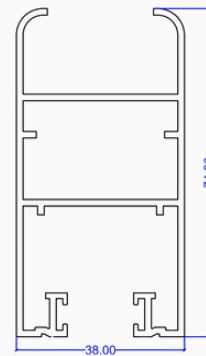
TEK 2037



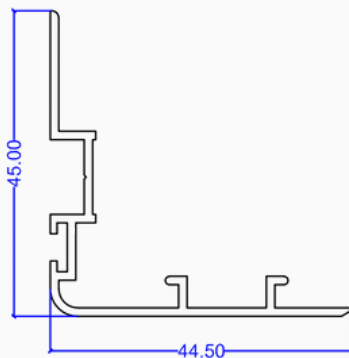
TEK M15



TEK MON01- Customized



TEK MON02- Customized



TEK MON03- Customized