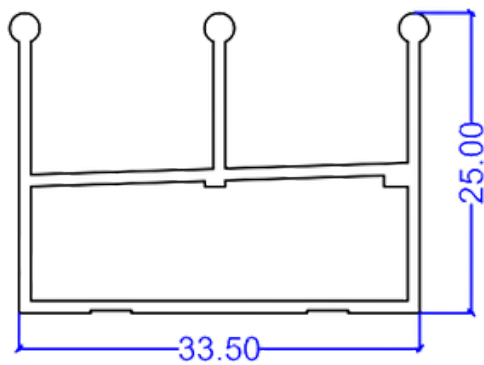


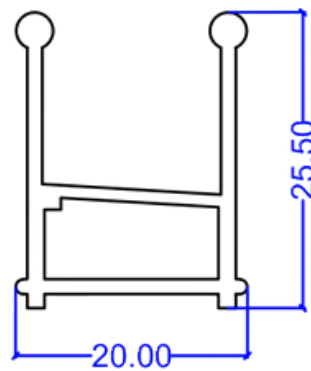


Shower Cabinet Profiles

Shower cabinet profiles are specially designed for assembling and supporting glass panels in shower enclosures. They offer a clean, water-resistant, and durable framing solution that ensures stability and enhances the overall look of the shower space. Available in mill finish, anodized, and powder-coated finishes to match various bathroom styles.



TEK 02



TEK 03