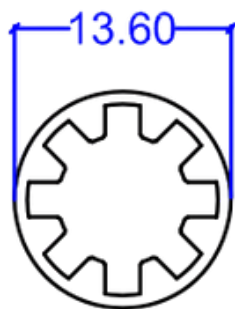


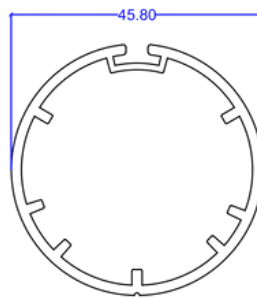


Curtain Profiles

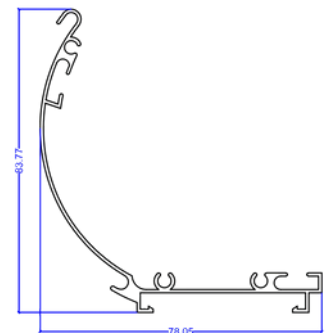
Our curtain profiles are designed to support and guide various curtain systems with ease and elegance. Made from high-quality aluminum, these profiles offer smooth functionality, modern aesthetics, and long-lasting durability. Ideal for residential, commercial, and hospitality settings, they can be customized to fit different curtain types and installation styles.



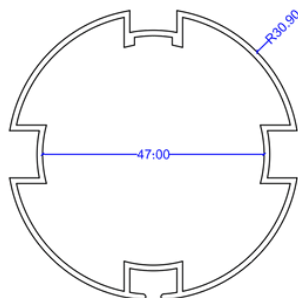
TEK 06



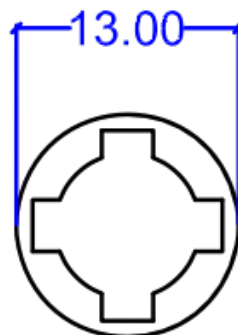
TEK 07



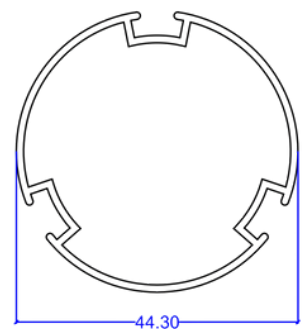
TEK 08



TEK 09



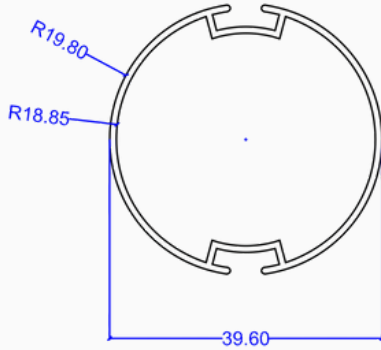
TEK 10



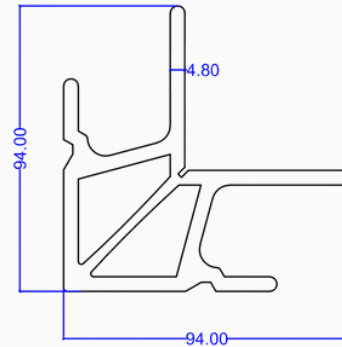
TEK 11



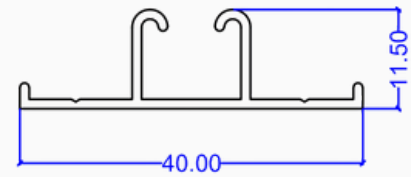
Category: Curtain



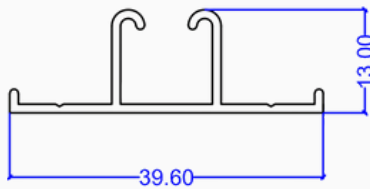
TEK 12



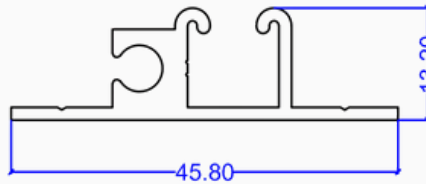
TEK 14



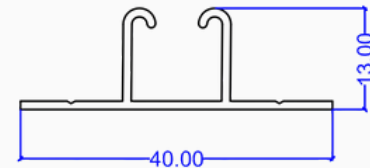
TEK 312



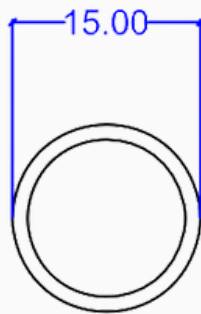
TEK 313



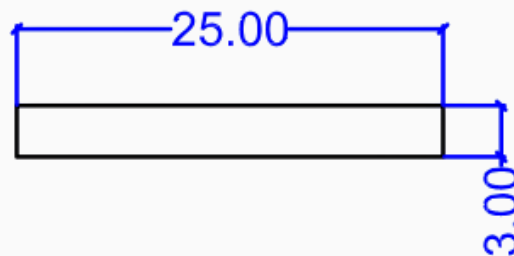
TEK 314



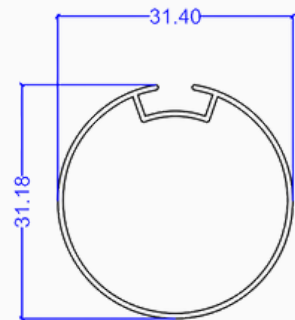
TEK 315



TEK HD01



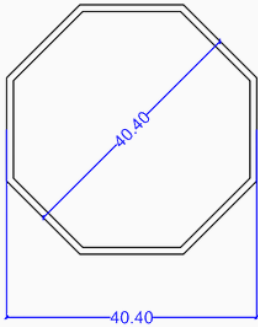
TEK HD02



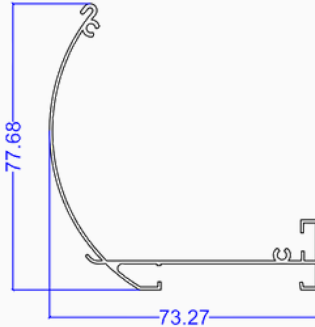
TEK HD03



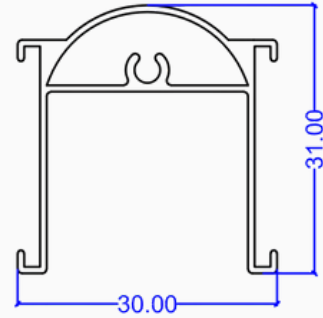
Category: Curtain



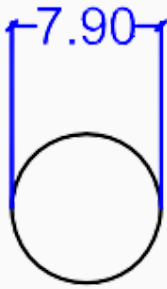
TEK HD04



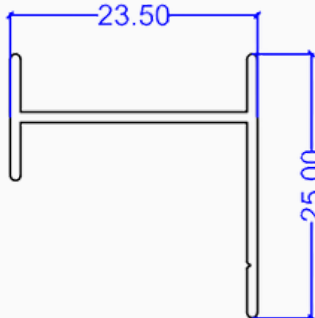
TEK HD05



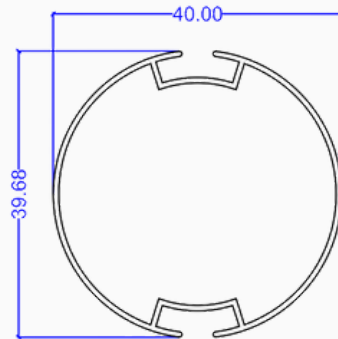
TEK HD06



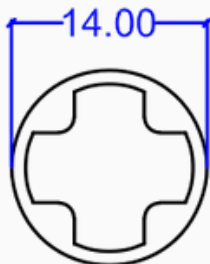
TEK HD07



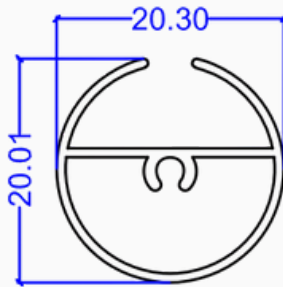
TEK HD08



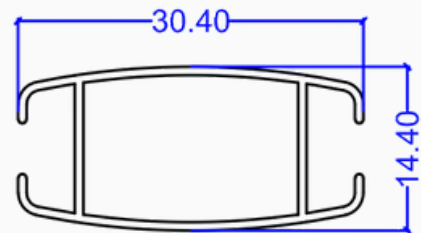
TEK HD09



TEK HD10



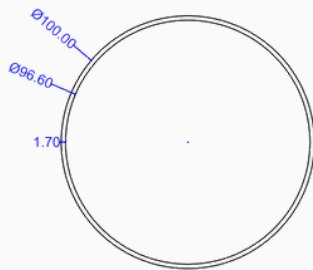
TEK HD11



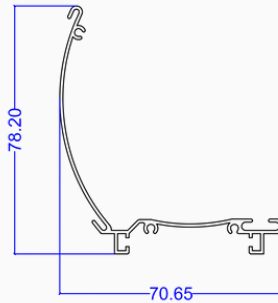
TEK HD12



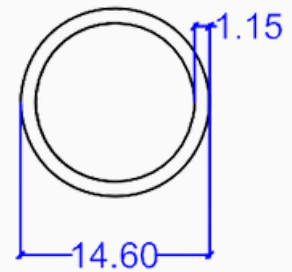
Category: Curtain



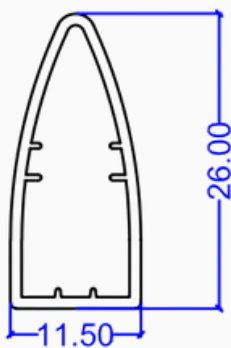
TEK HD16



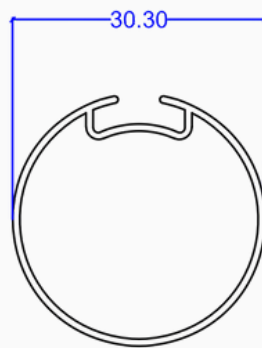
TEK JEB02- Customized



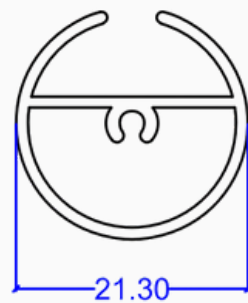
TEK JEB03- Customized



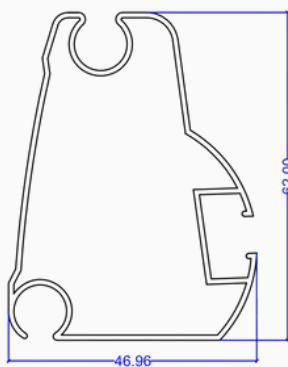
TEK JEB04- Customized



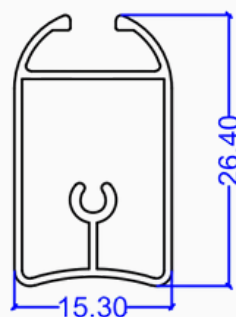
TEK JEB05- Customized



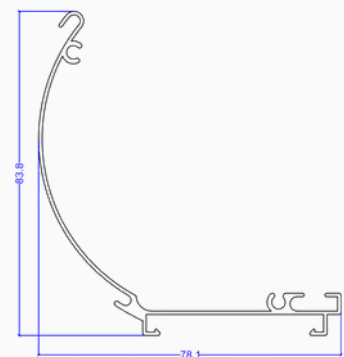
TEK JEB06- Customized



TEK MOF01 Customized



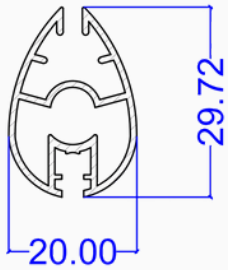
TEK MOF02 Customized



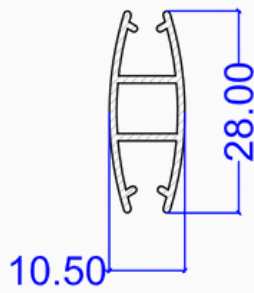
TEK MOF03 Customized



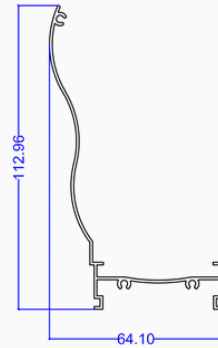
Category: Curtain



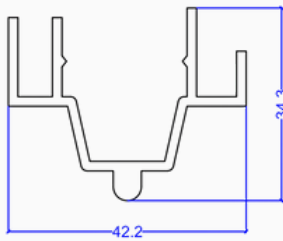
TEK WM002- Customized



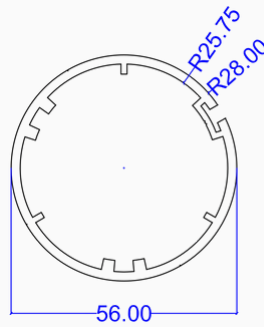
TEK WA003- Customized



TEK WA004- Customized



TEK WD006- Customized

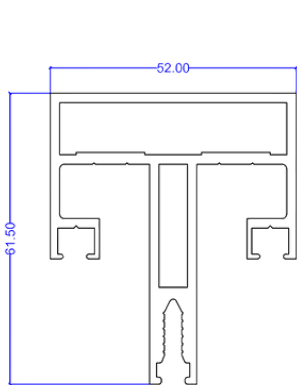


TEK MIC001- Customized

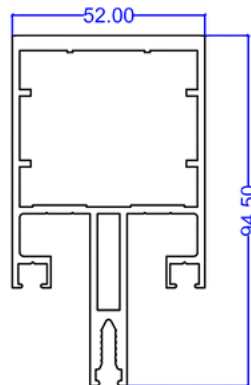


Curtain Wall Profiles

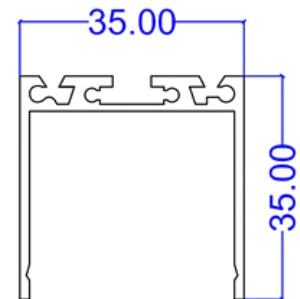
Our Curtain wall profiles are structural aluminum systems used to frame and support large glass surfaces on building exteriors. These systems are commonly used in high-rise buildings, office towers, commercial centers, and residential complexes. They offer excellent weather resistance, insulation, and a sleek architectural finish – allowing for natural light while maintaining energy efficiency. Available in mill finish, anodized, or powder-coated options.



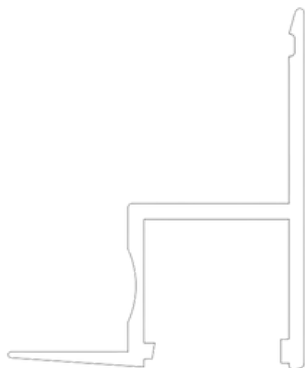
TEK 1412



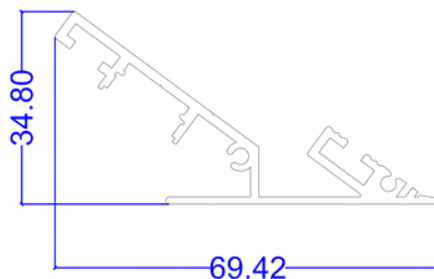
TEK 1414



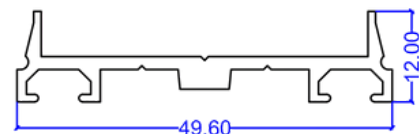
TEK 1418



TEK 1421



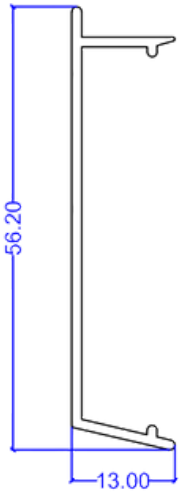
TEK 1422



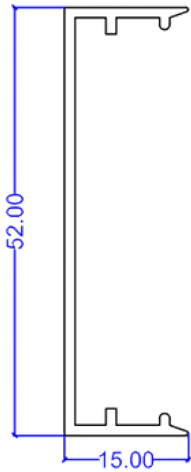
TEK 1425



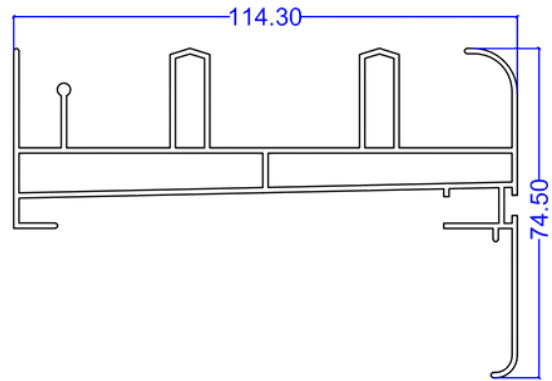
Category: Curtain Wall



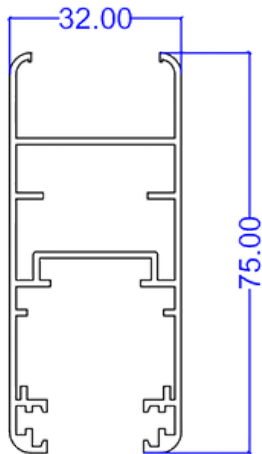
TEK 1426



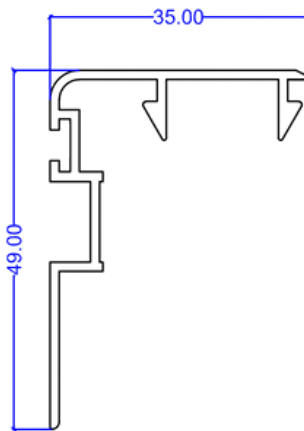
TEK 1427



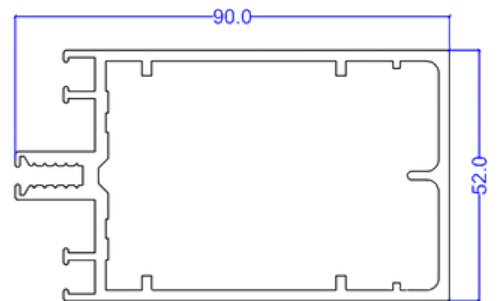
TEK 1430- **Customized**



TEK 1431- **Customized**



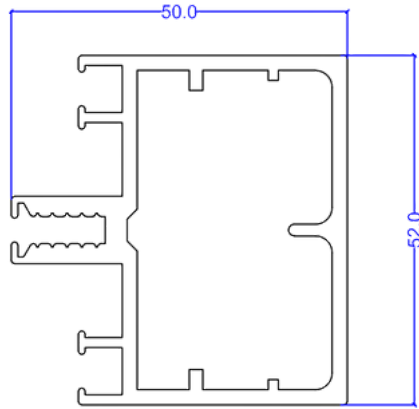
TEK 1432- **Customized**



TEK 1434



Category: Curtain Wall



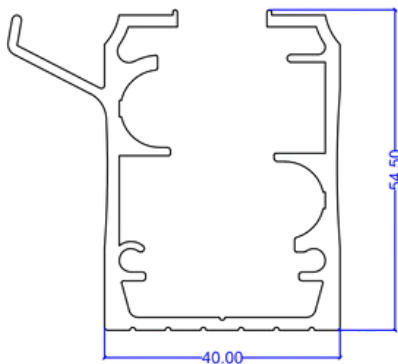
TEK 1435



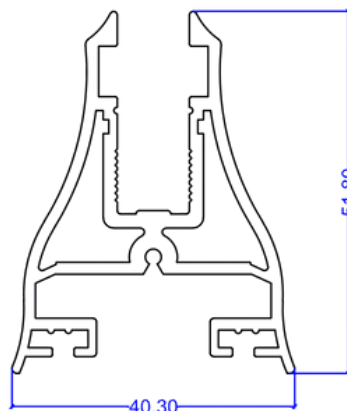


Curtain Glass Profiles

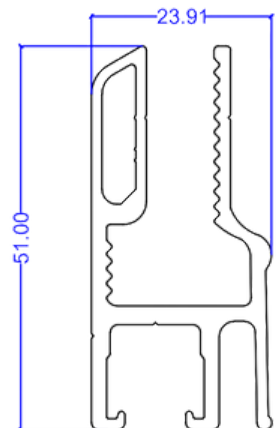
Curtain glass profiles are slim, lightweight aluminum sections designed to hold and secure individual glass panels. Ideal for interior glass partitions, balconies, frameless glass doors, and showroom displays, they provide a clean and modern appearance while ensuring structural integrity. These profiles are suitable for both residential and commercial spaces, and come in various finishes to suit design needs.



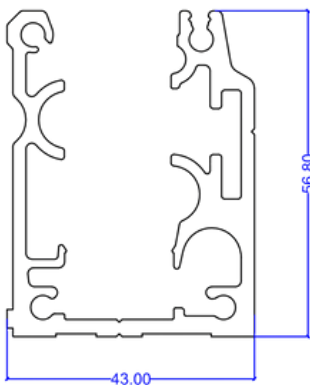
TEK-GEN01- Customized



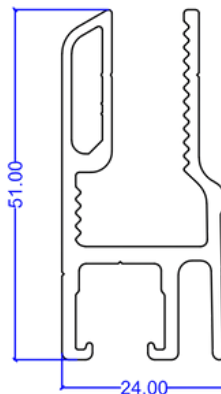
TEK-GEN02- Customized



TEK-K01- Customized



TEK-K02- Customized

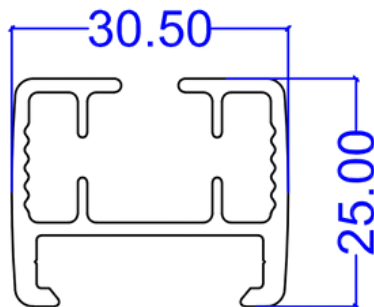


TEK-K03- Customized

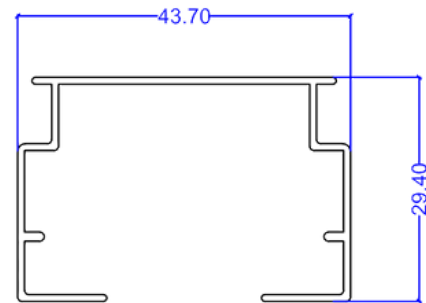


Internal Curtain Profiles

Internal curtain profiles are used to create smooth and stylish partitions within interior spaces. Designed for modern applications, they offer a clean and minimal look while allowing flexible configurations for dividing rooms or sections. Ideal for offices, homes, and commercial spaces.



TEK 833



TEK 1501- **Customized**